



SUMMIT



WWW.KETER.COM

SKU: 17190648

SUMMIT BAR



AT142-11 561693

8 (495) 966-23-86

WWW.KETER.COM

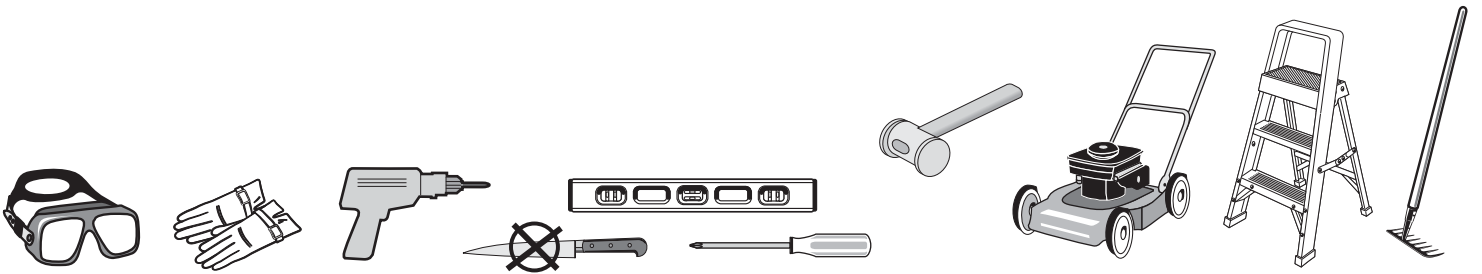
WWW.GARDECK.RU

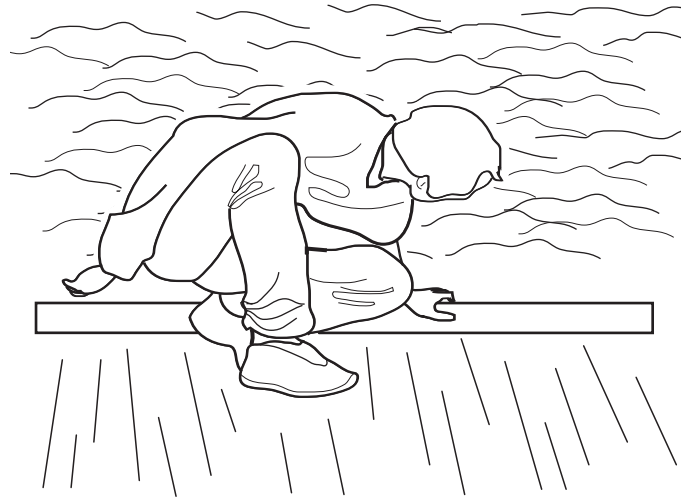
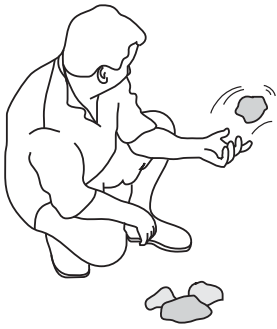
:

:

8 (495) 966-23-86

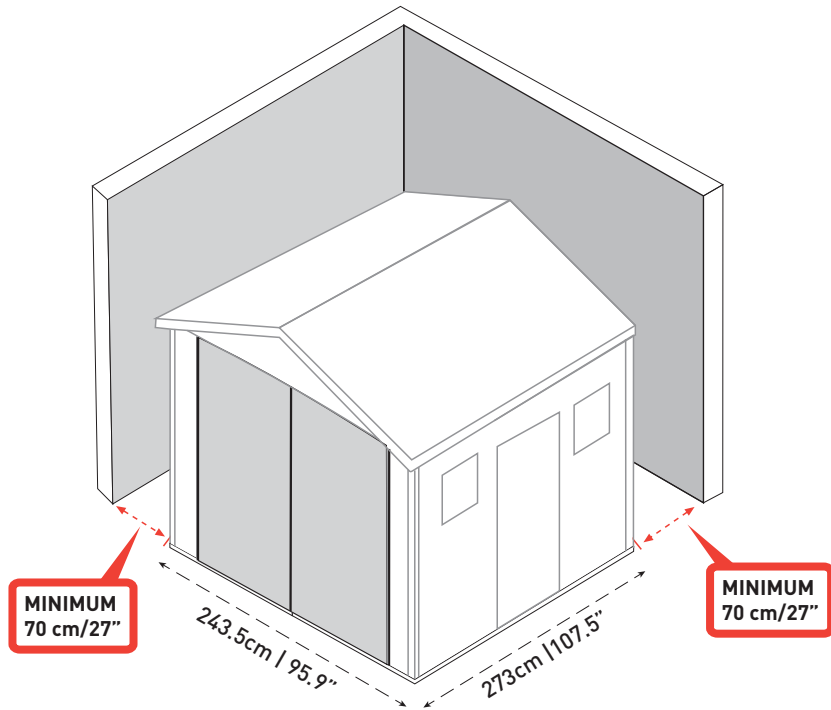
:



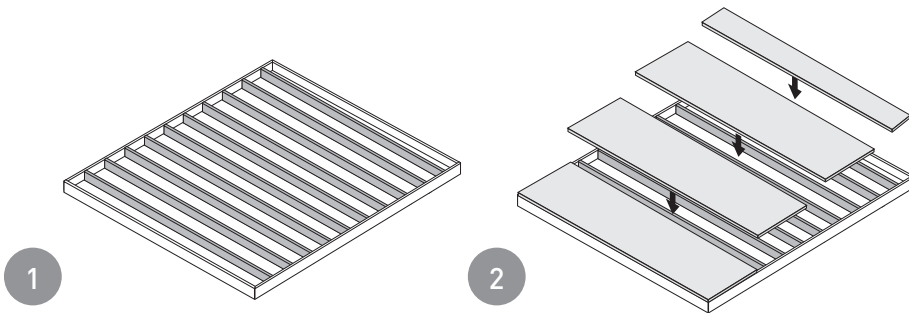


:

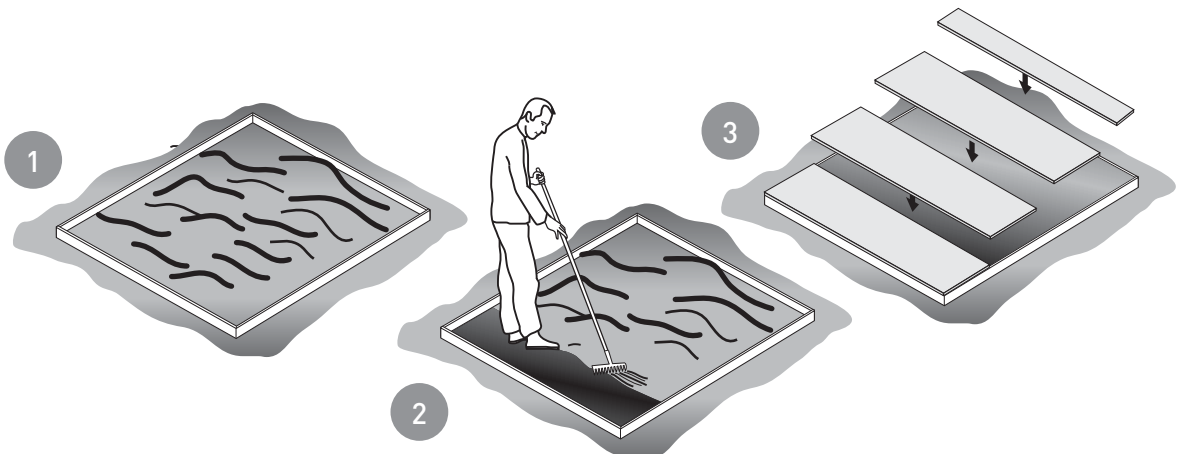
70 cm

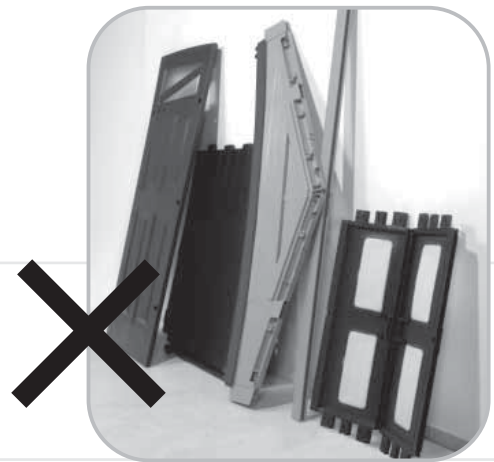
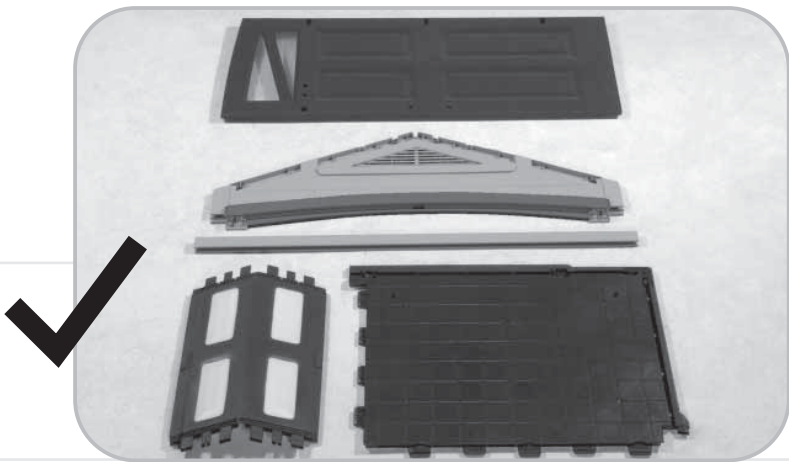


A



B

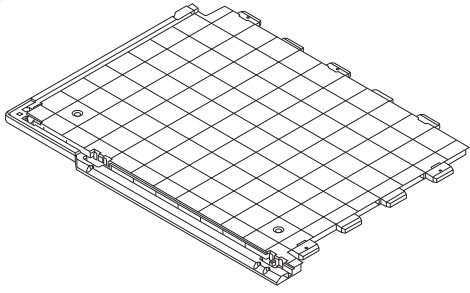




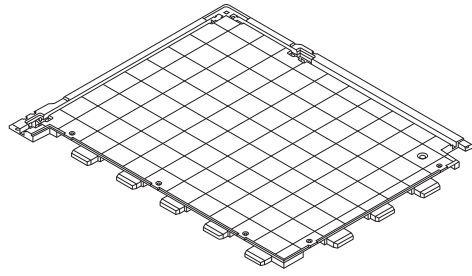
()

() ,

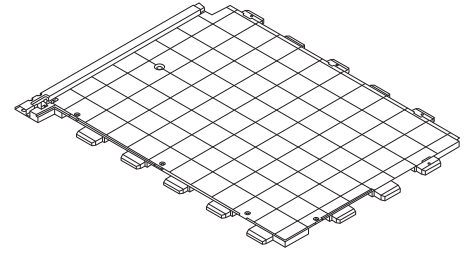




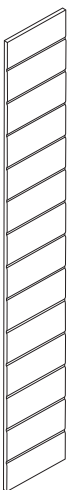
YFA(x2)



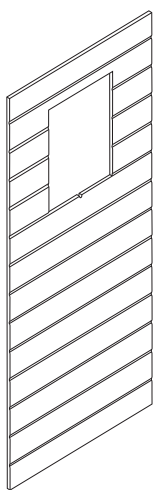
YFB(x2)



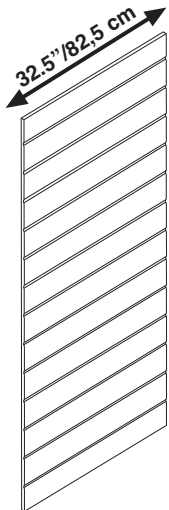
YFC(x2)



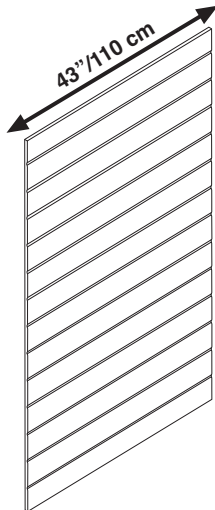
YPC(x2)



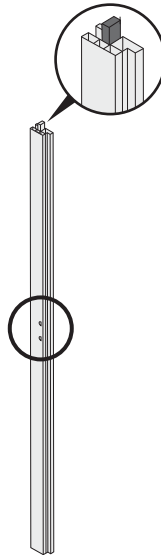
YPW
WINDOW(x2)



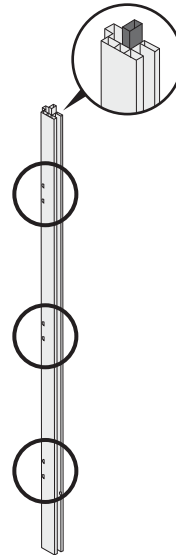
YP(x3)



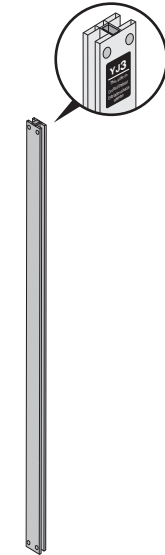
YPB(x2)



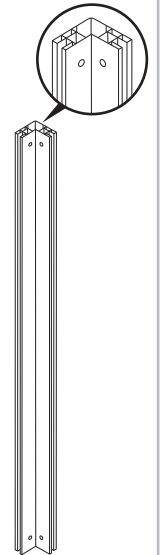
YJ1(x1)



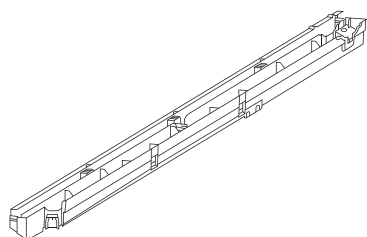
YJ2(x3)



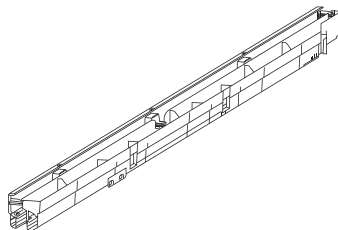
YJ3(x3)



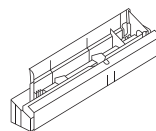
YC0(x4)



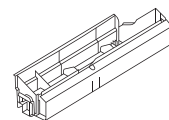
YFF(x1)



YFM(x1)



YEL1(x1)



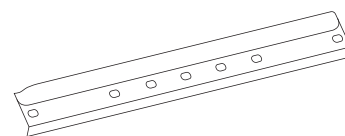
YER1(x1)



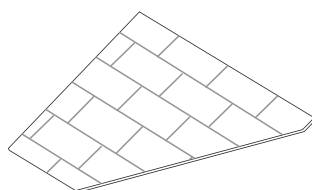
YTL1(x2)



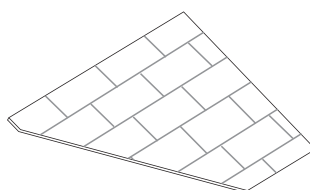
YTR1(x2)



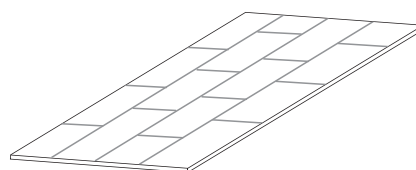
YG(x3)



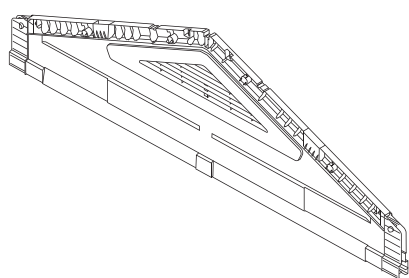
YST2(x1)



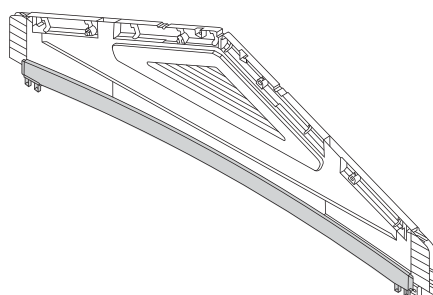
YST1(x1)



YSS(x2)



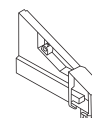
YGS(x1)



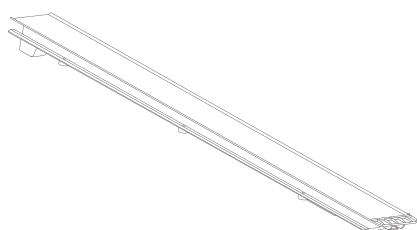
YGA(x1)



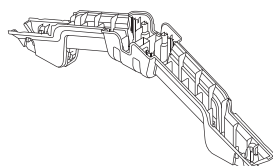
YGL(x2)



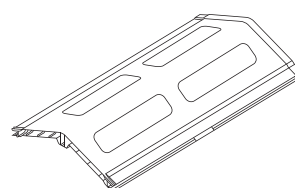
YGR(x2)



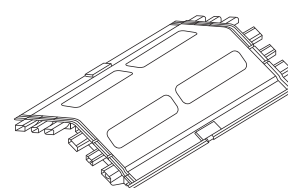
YSC(x1)



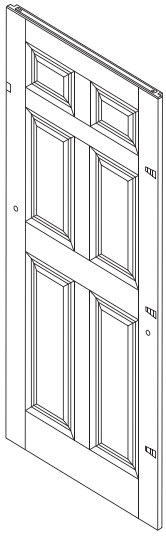
YAA(x1)



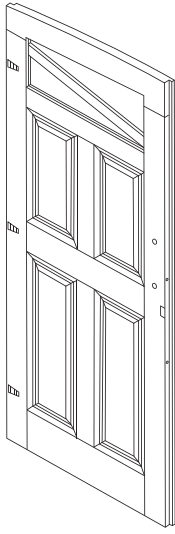
YBF(x2)



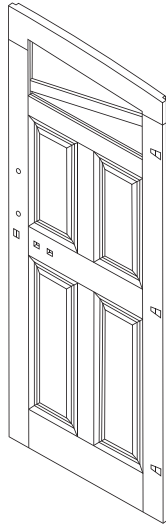
YBM(x1)



YDS(x1)



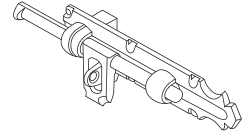
YDAL(x1)



YDAR(x1)



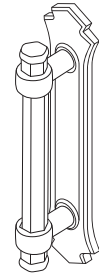
YHLL(x1)



YHLB(x1)



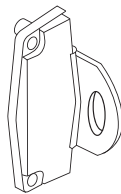
YHD(x4)



YHS(x2)



YHC(x2)



YHSL(x2)



YHE(x1)



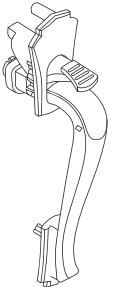
YHI(x1)



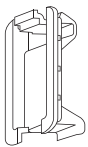
YHF(x1)



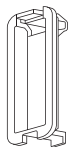
YHG(x1)



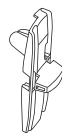
YHH(x1)



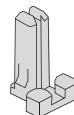
YRC(x1)



YEC(x3)



YHV(x2)



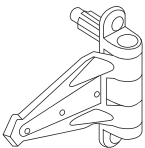
YCC(x12)



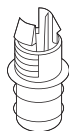
YHD(x9)



YHC(x18)



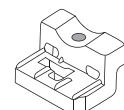
YH(x9)



YSP(x1)



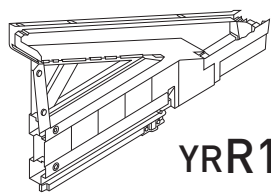
CP(x65)



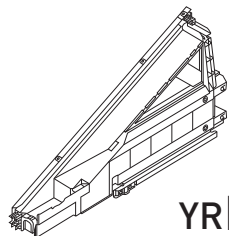
YDP(x1)



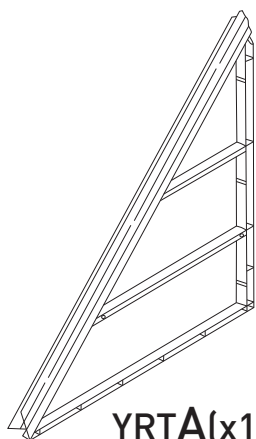
YD(x4)



YRR1(x1)



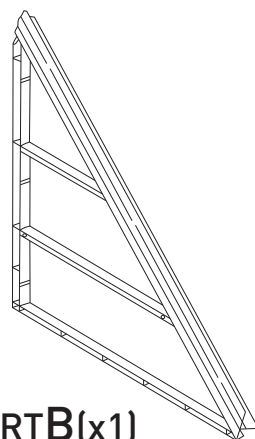
YRL1(x1)



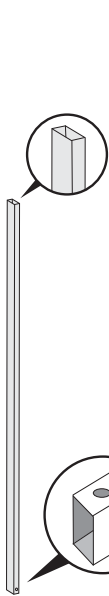
YRTA(x1)



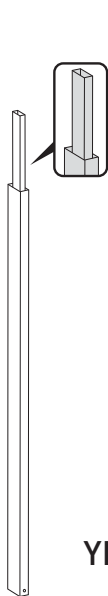
YRB(x1)



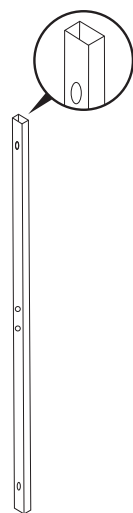
YRTB(x1)



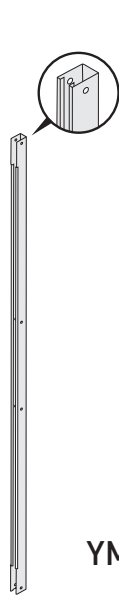
YM1(x1)



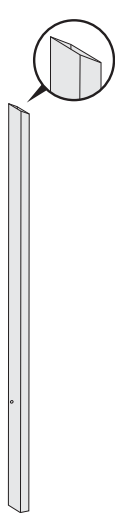
YM2(x1)



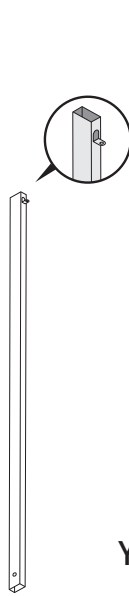
YM3(x1)



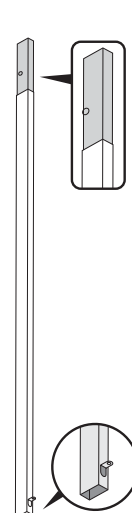
YM4(x1)



YM5(x1)



YM6(x2)



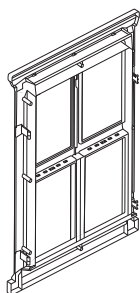
YM7(x2)



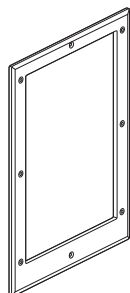
YM13(x1)



YM18(x2)



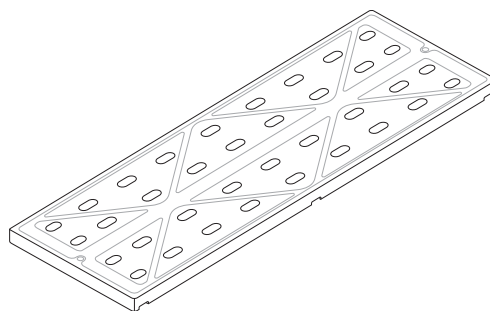
FW0(x2)



YWl(x2)



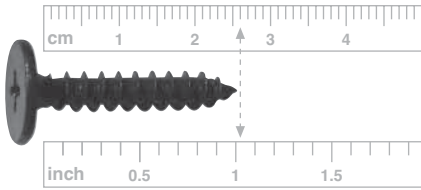
FWt(x2)



YSF(x8)

!!!

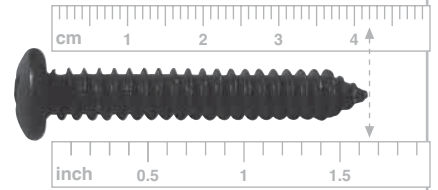
sC1(x101)



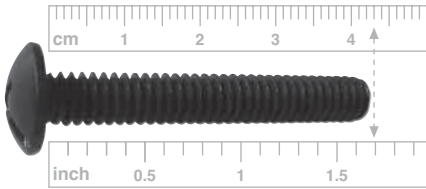
s35B(x22)



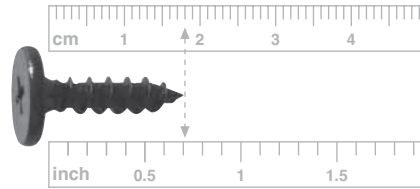
s42B(x28)



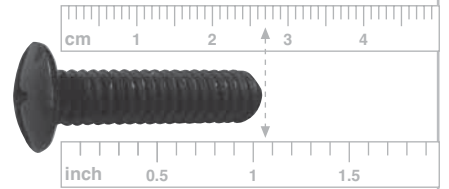
sC8(x2)



sC15(x74)



s27B(x2)



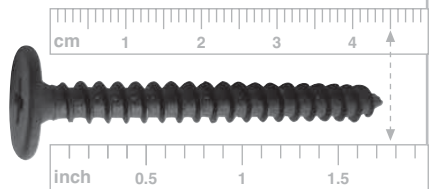
sC4(x1)



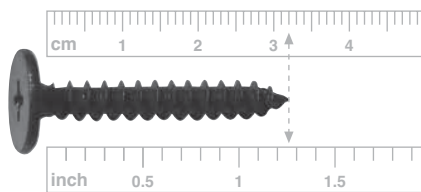
sCN8(x4)



s45B(x2)



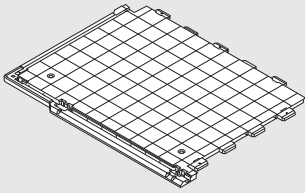
s32B(x16)



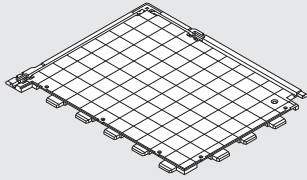
YM32(x16)



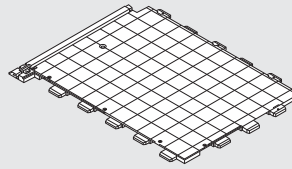
1



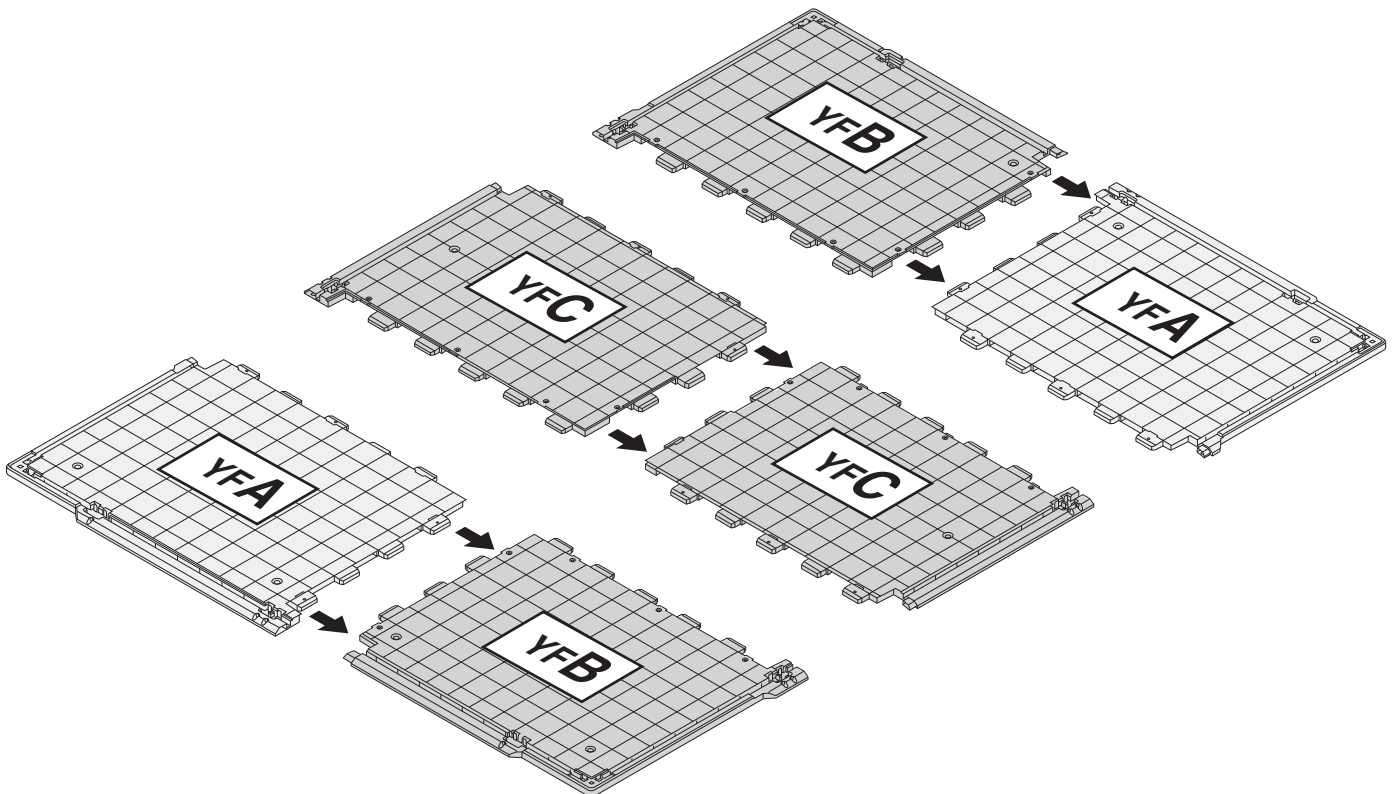
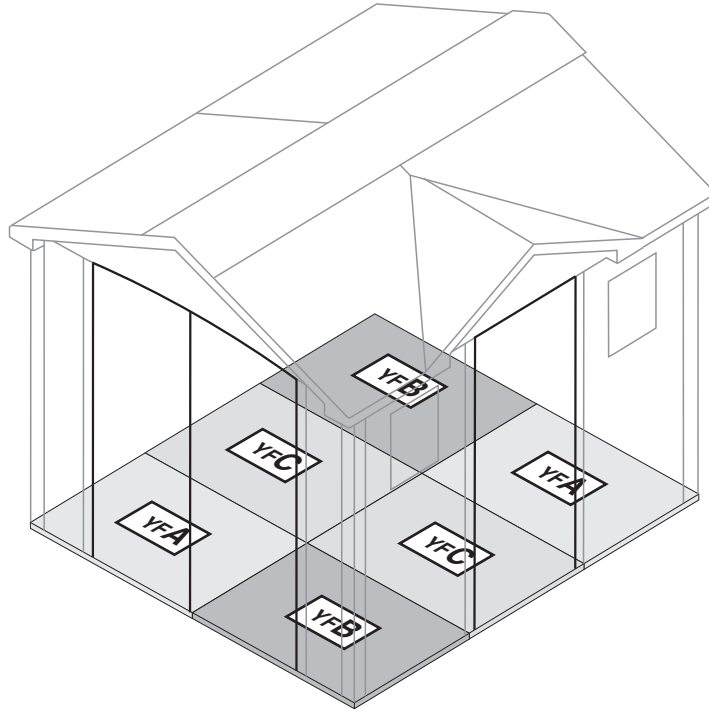
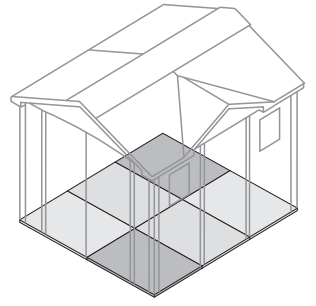
YFA(x2)



YFB(x2)



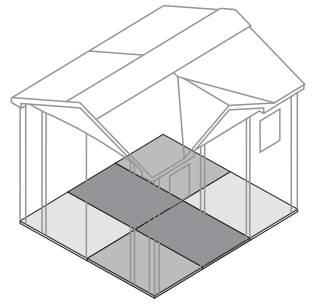
YFC(x2)



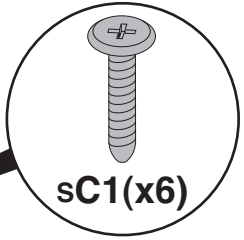
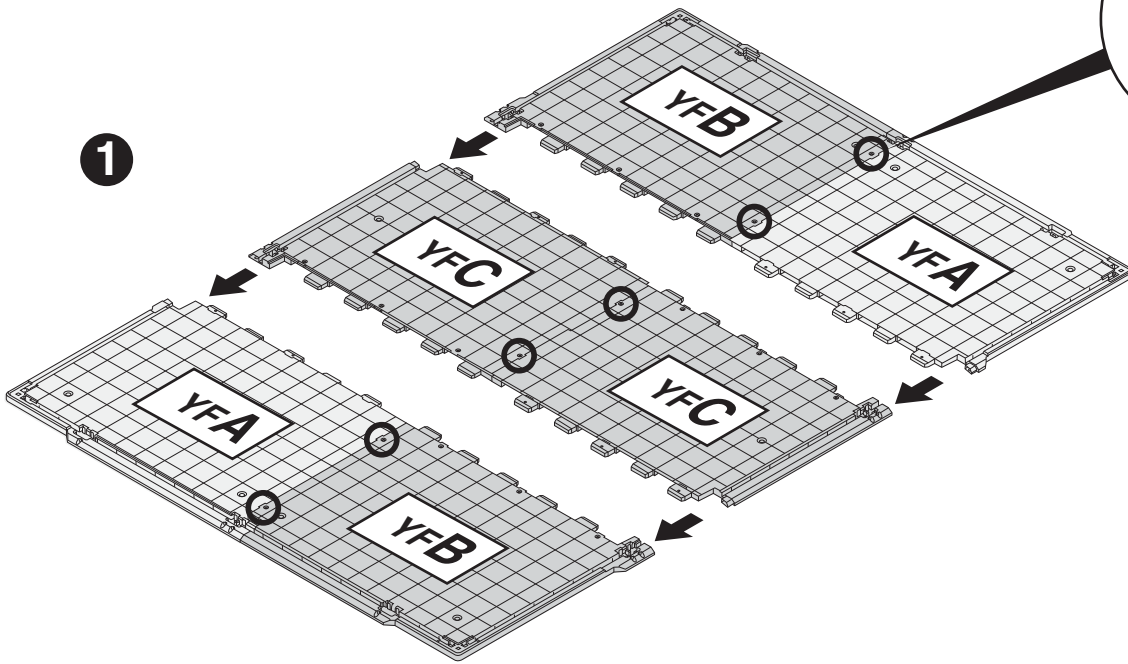
2



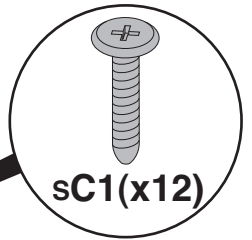
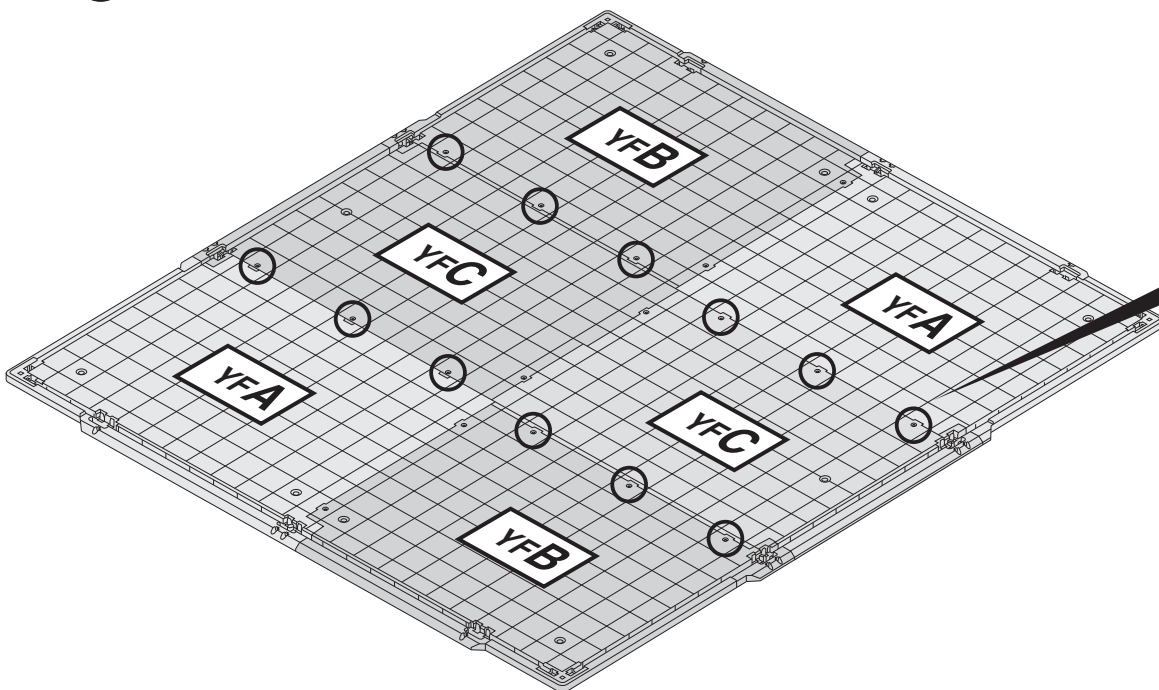
sC1(x18)

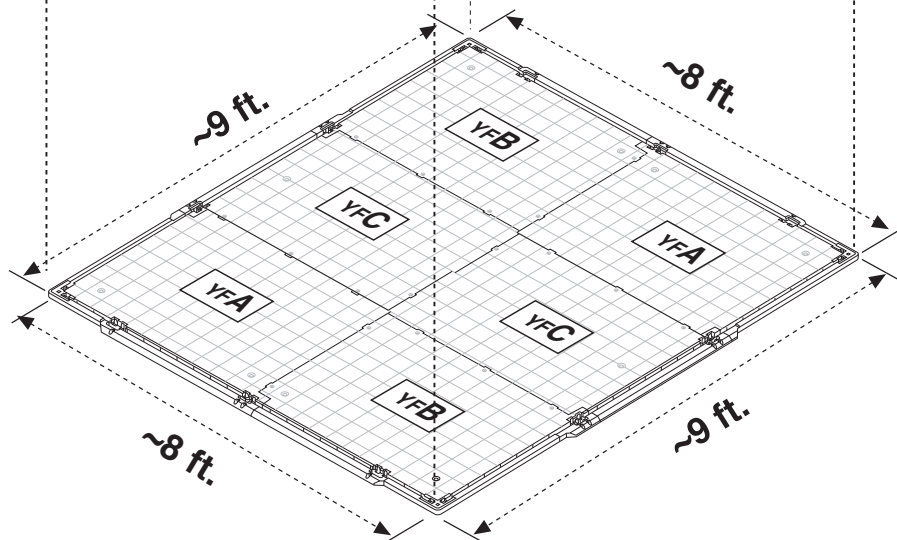
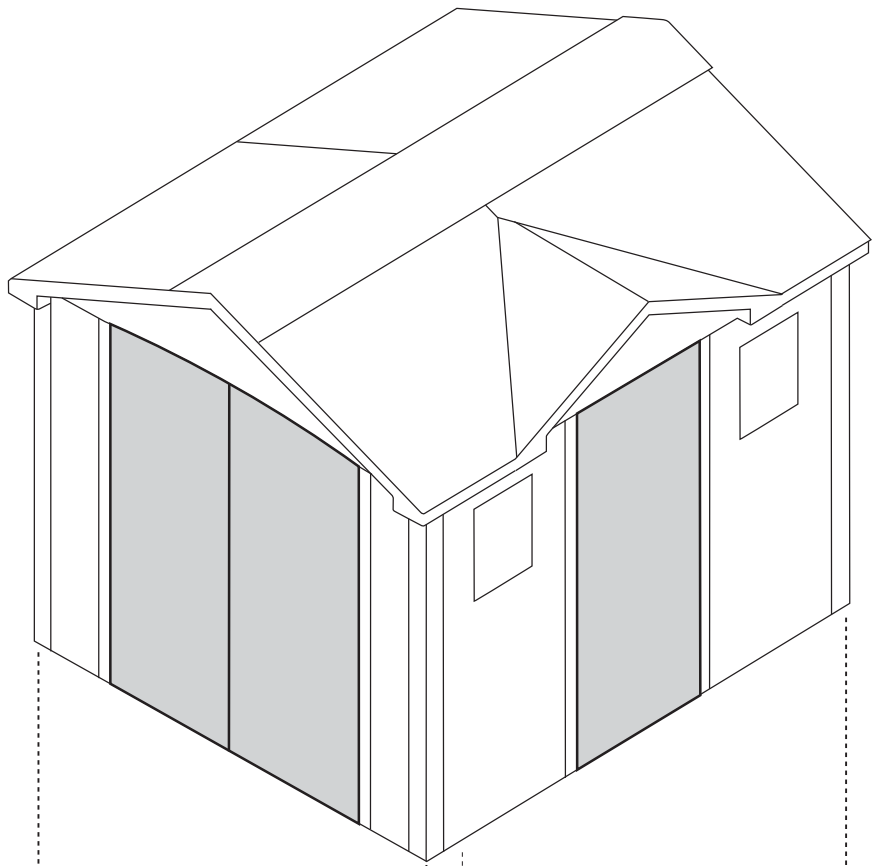


1

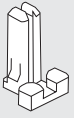


2

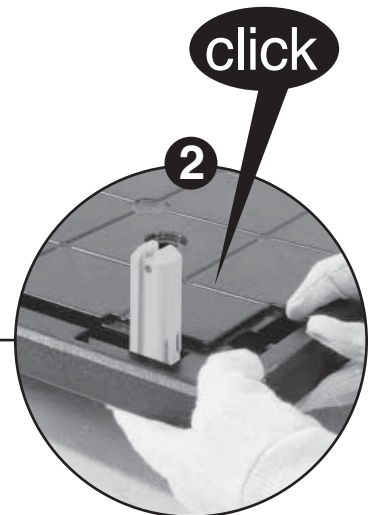
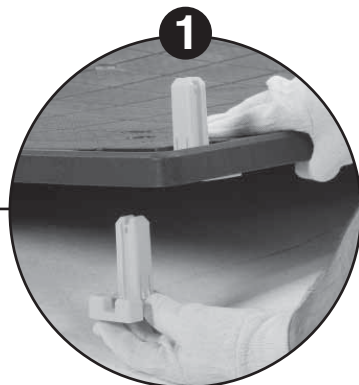
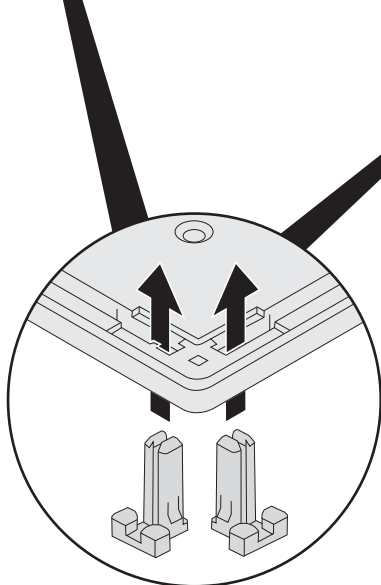
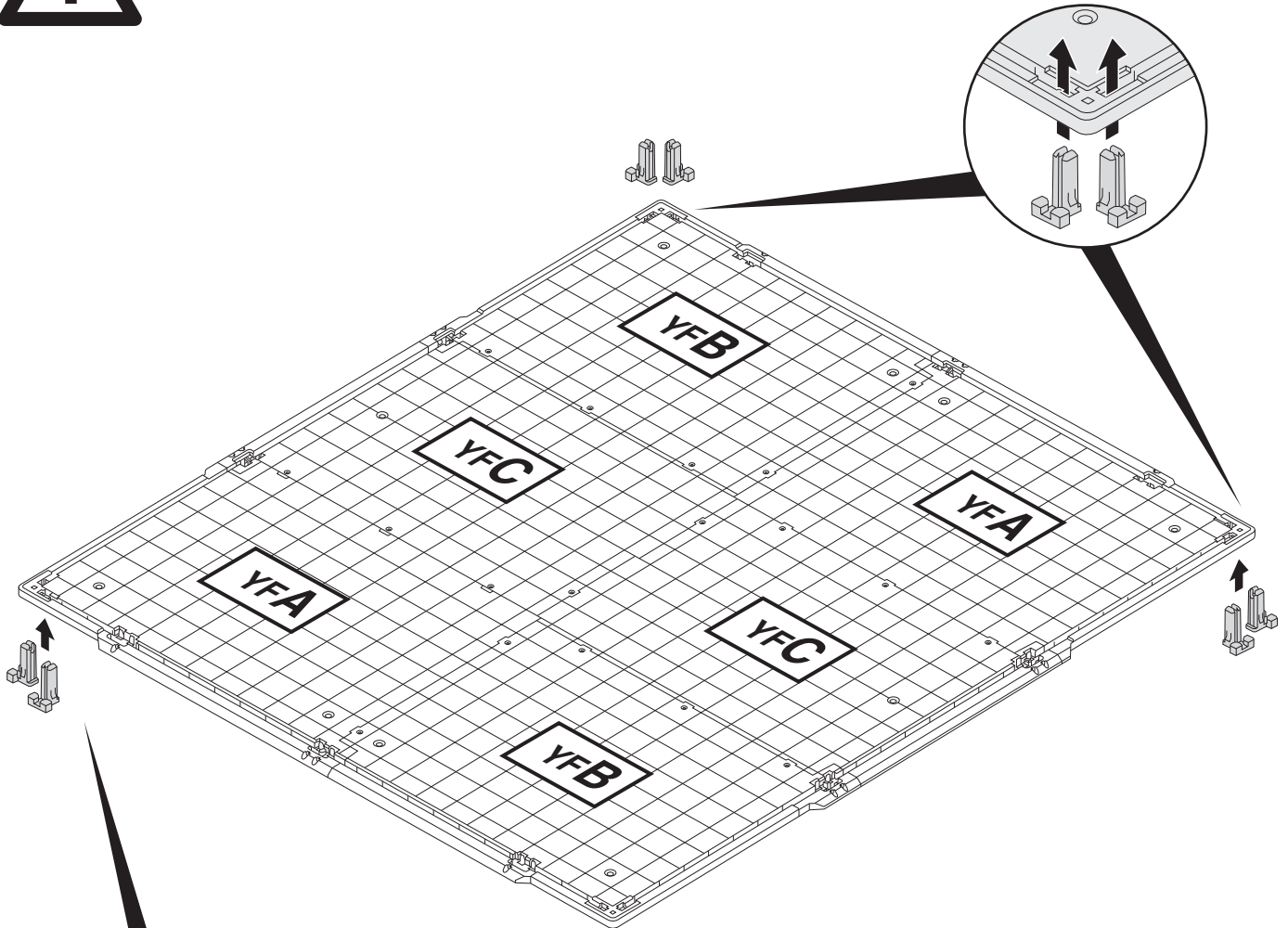
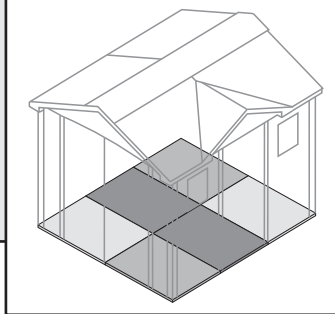




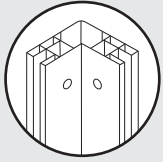
3



YCC(x8)



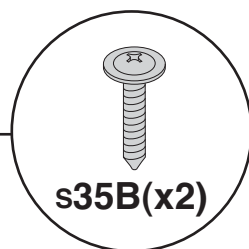
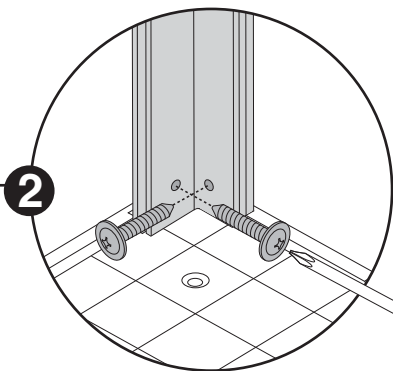
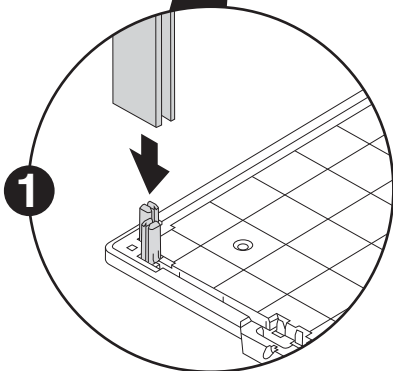
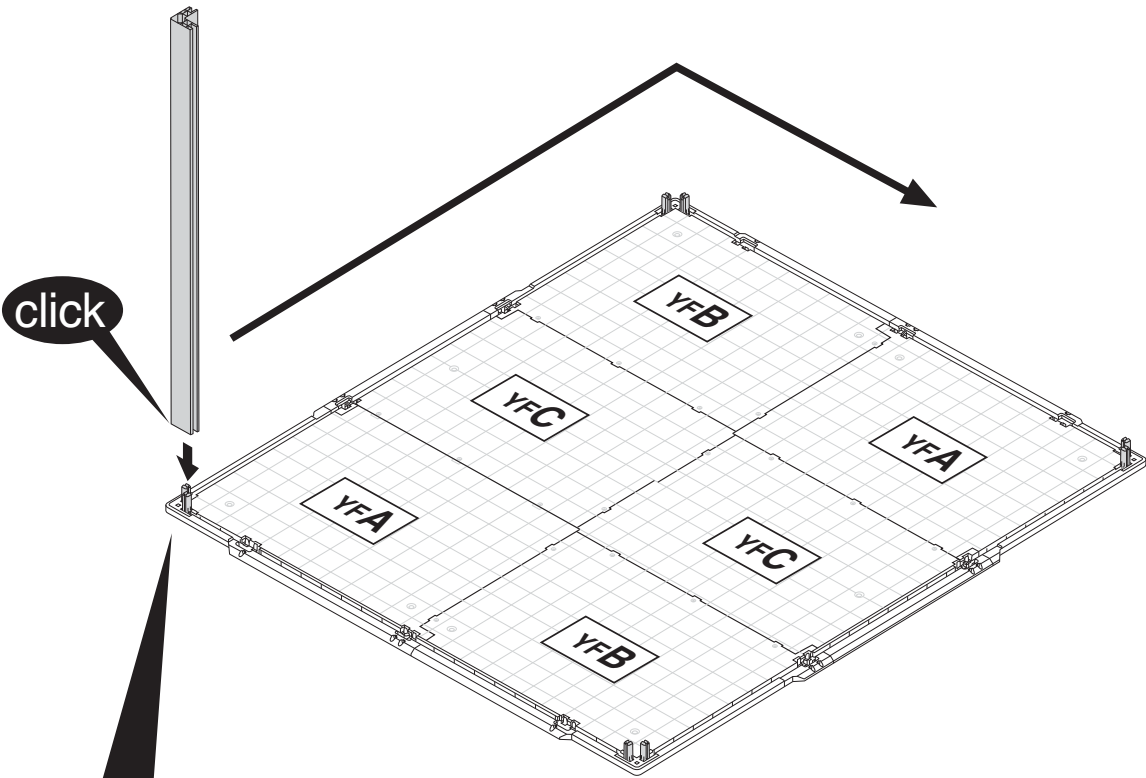
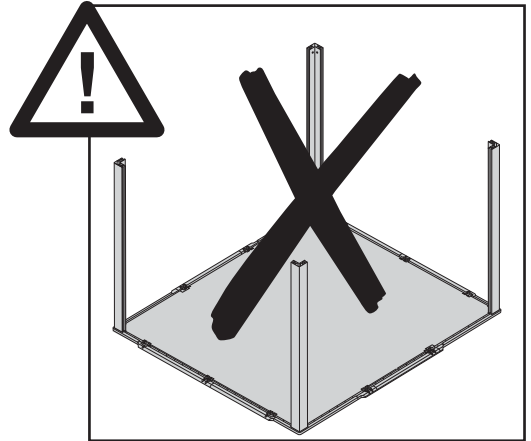
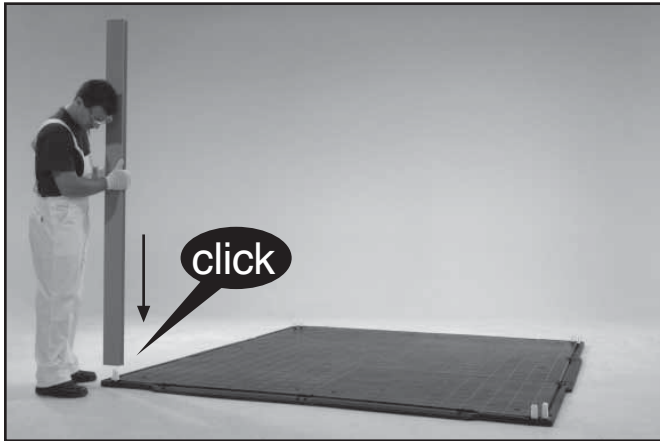
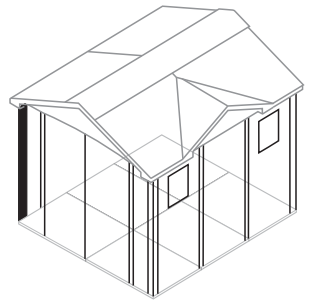
4



YCO(x1)



s35B(x2)

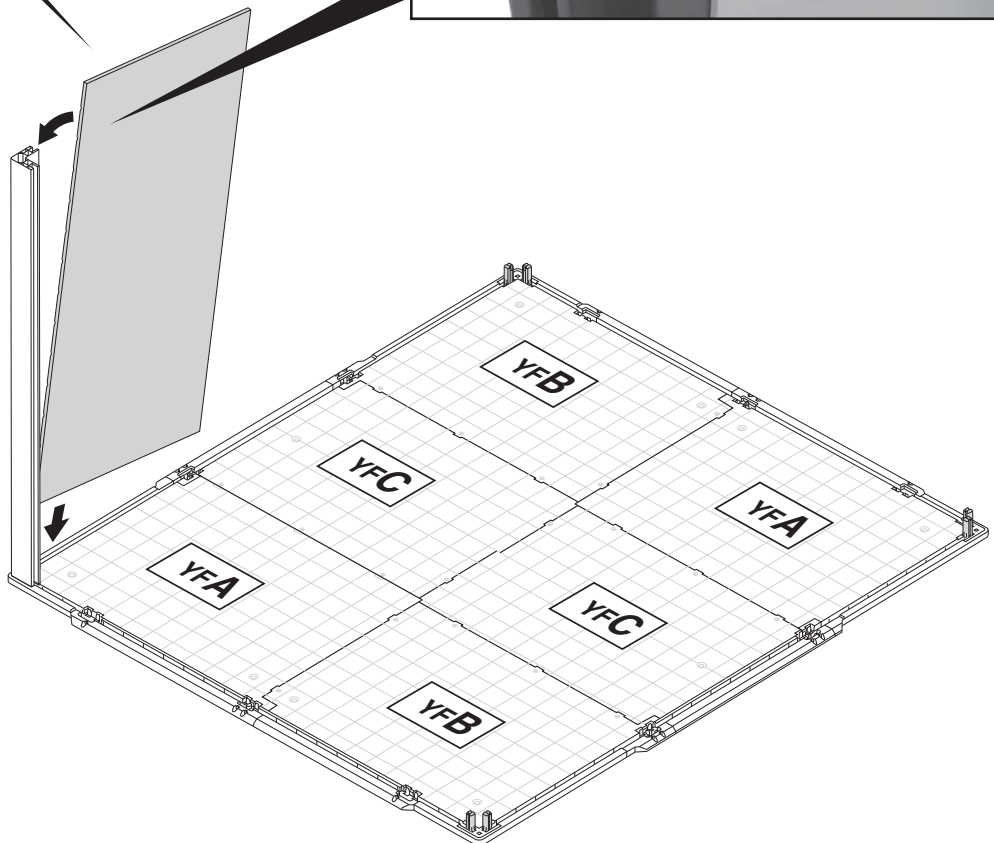
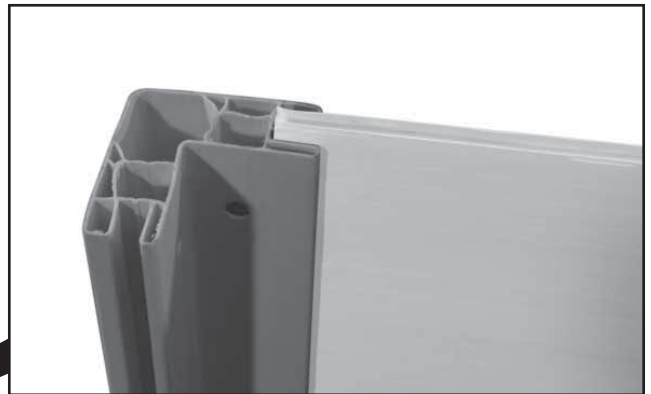
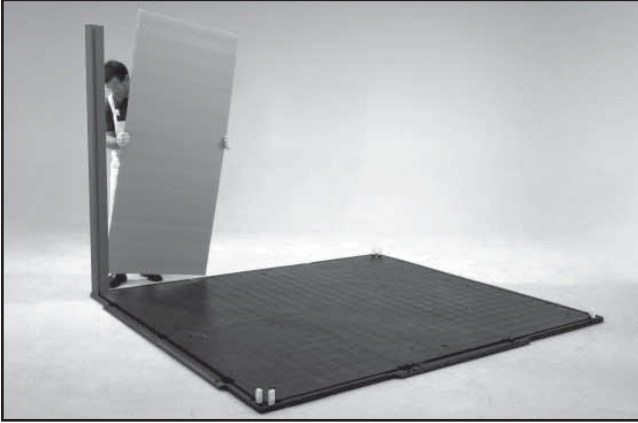
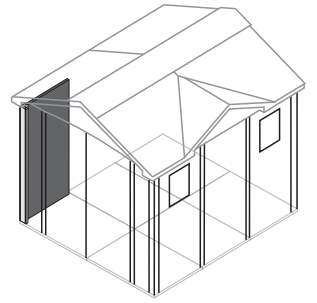


s35B(x2)

5



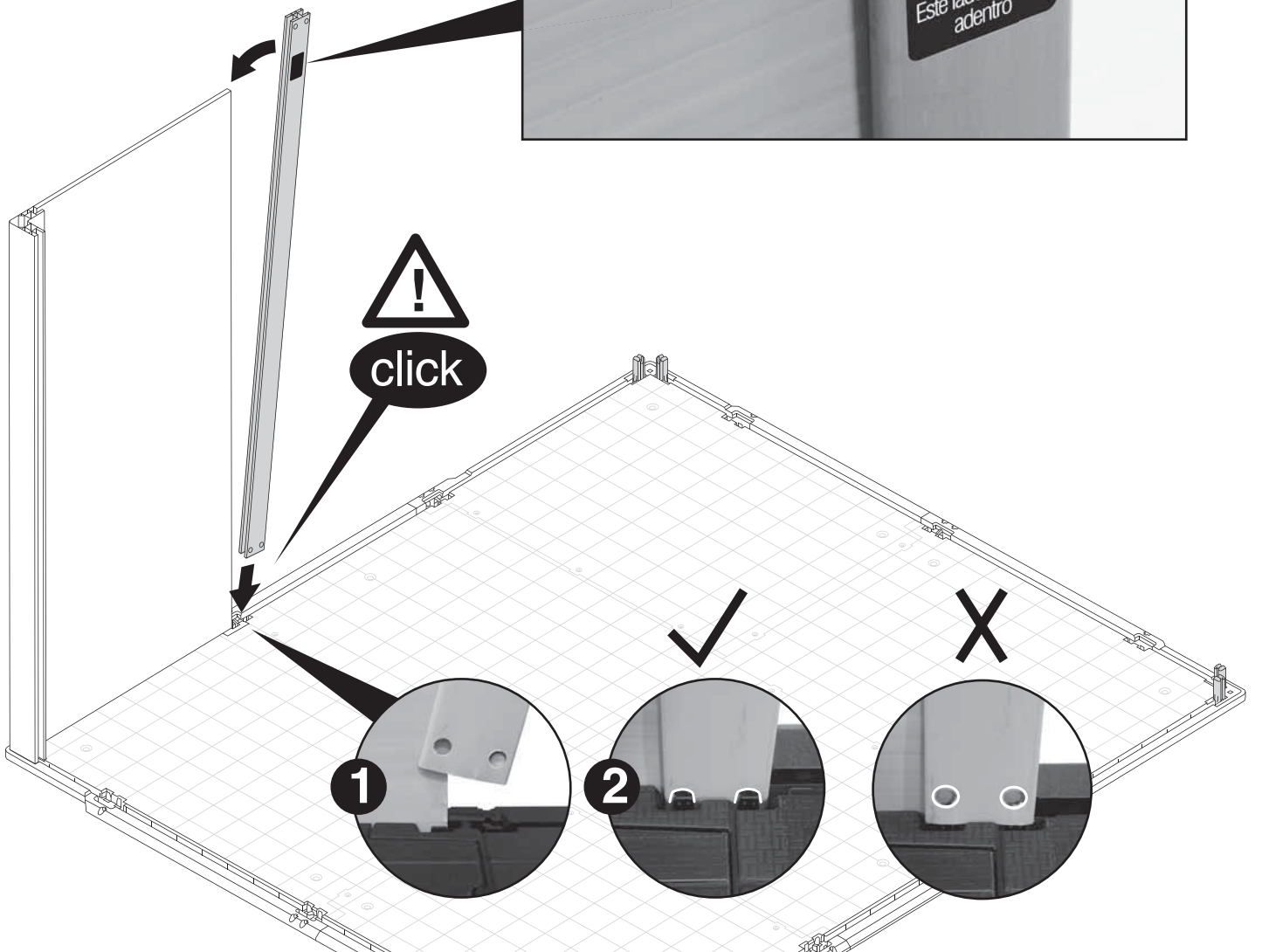
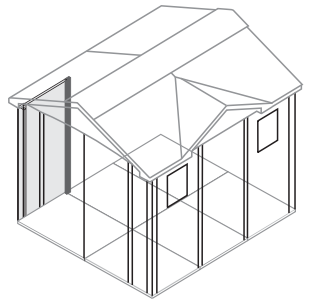
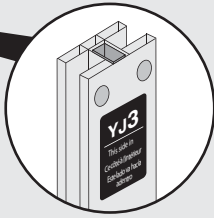
YP(x1)



6



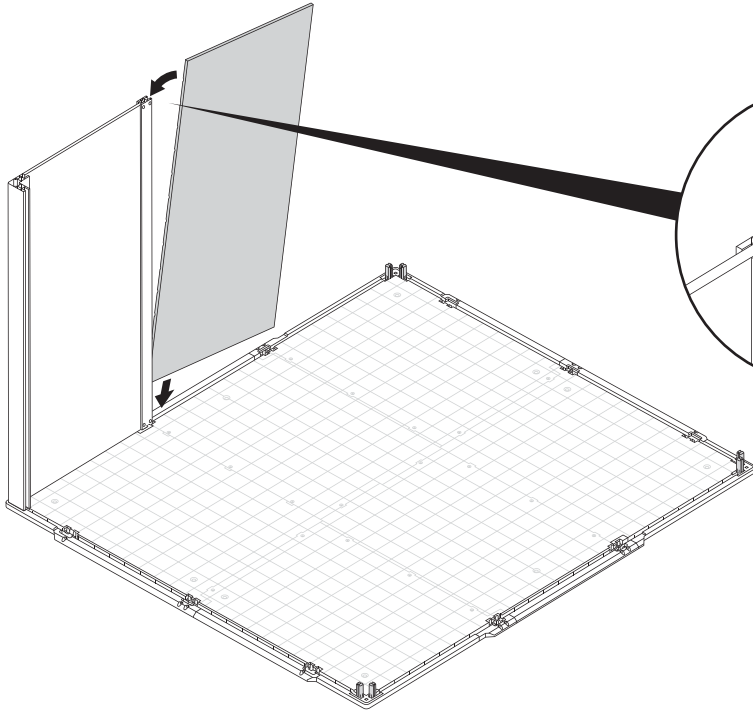
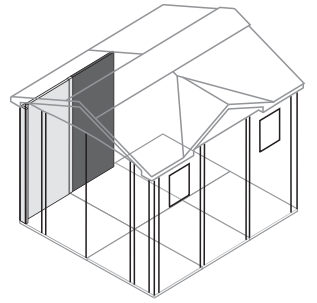
YJ3(x1)



7



YP(x1)



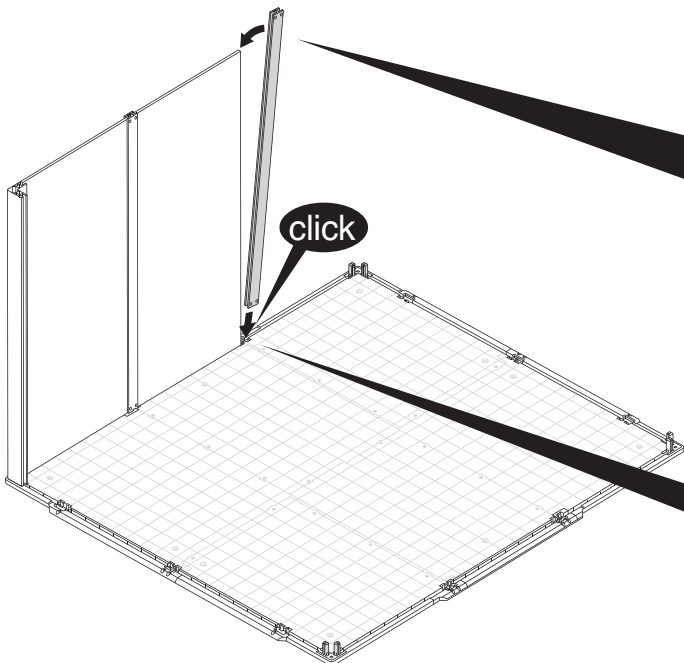
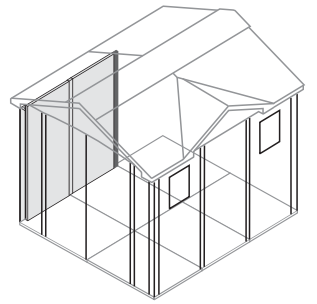
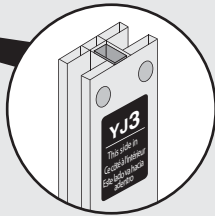
1

2

8



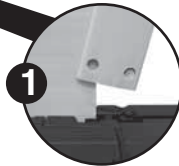
YJ3(x1)



click

1

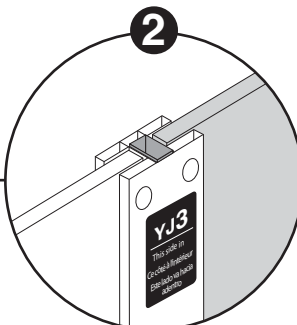
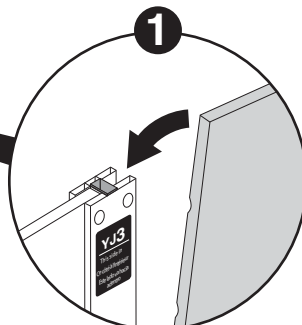
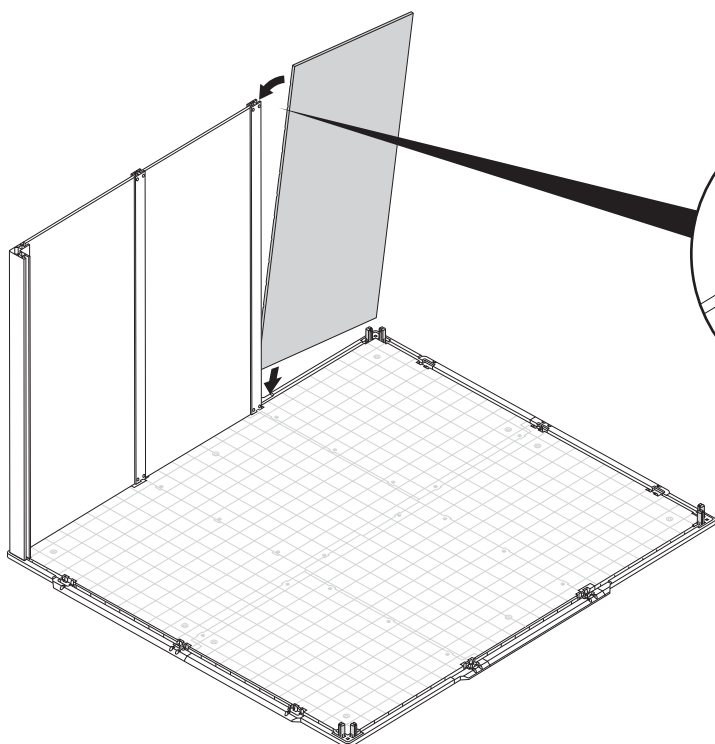
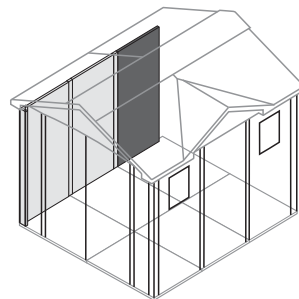
2



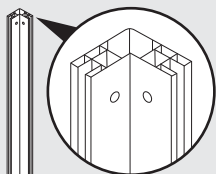
9



YP(x1)



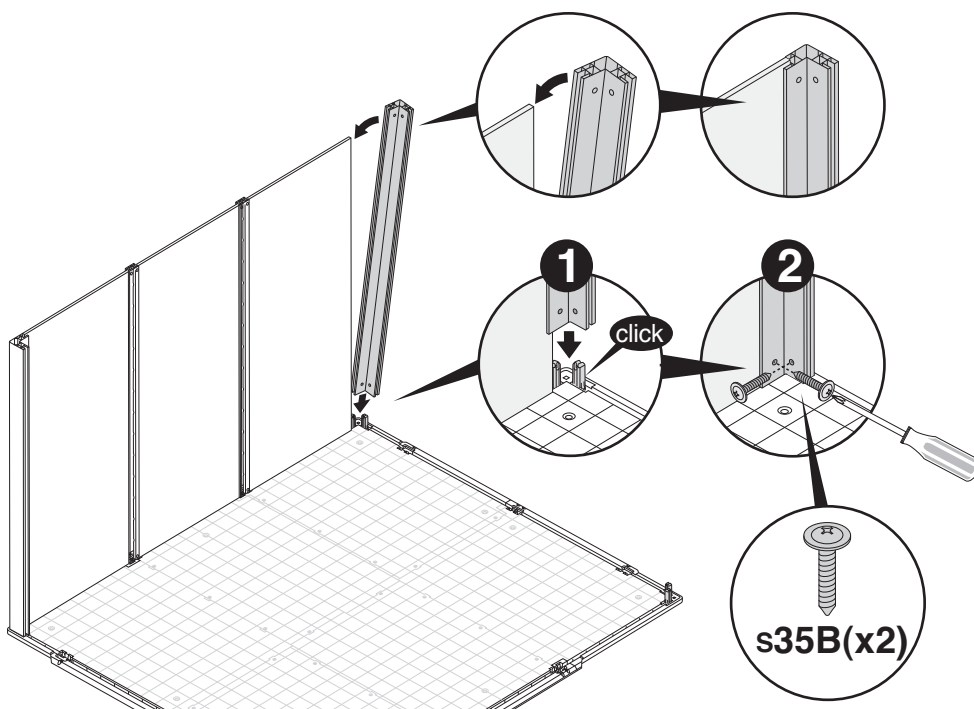
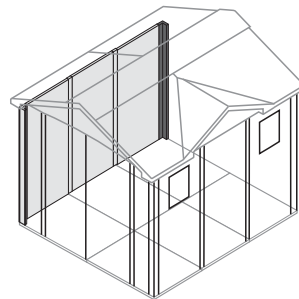
10



YCO(x1)



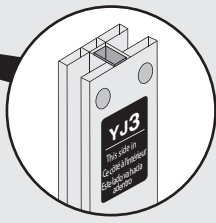
s35B(x2)



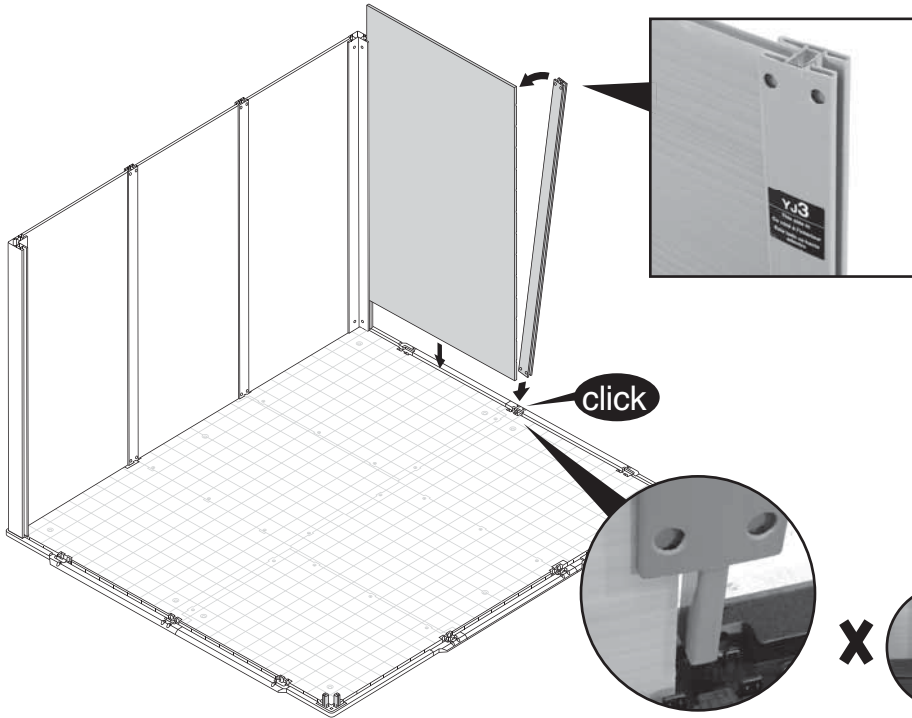
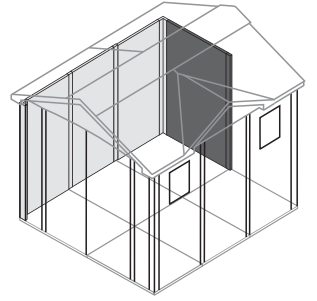
11



YJ3(x1)



YPB(x1)



click

X



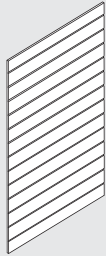
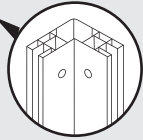
✓



12



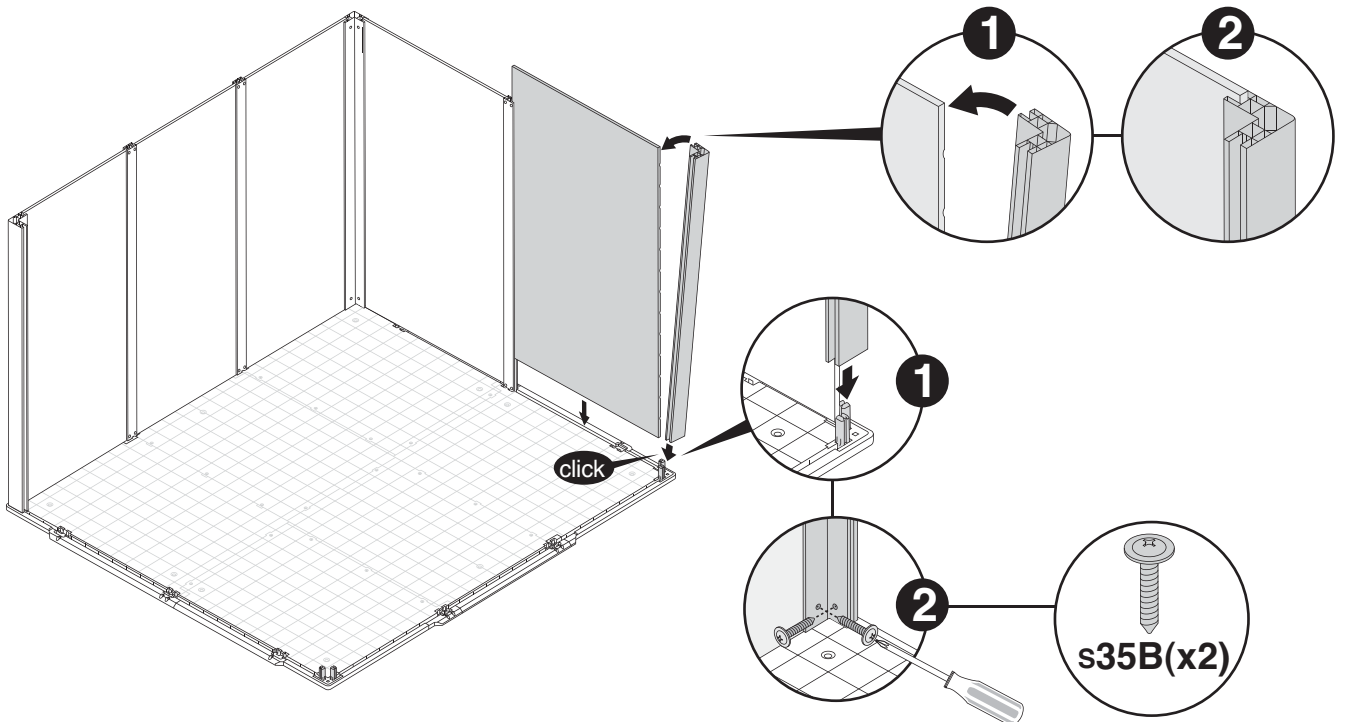
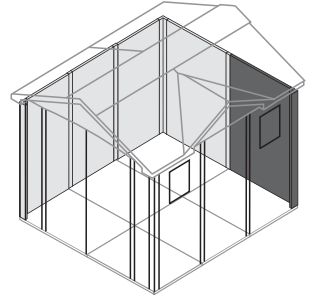
YCO(x1)



YPB(x1)



s35B(x2)



click

1

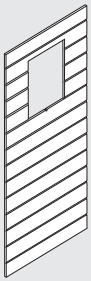
2

1

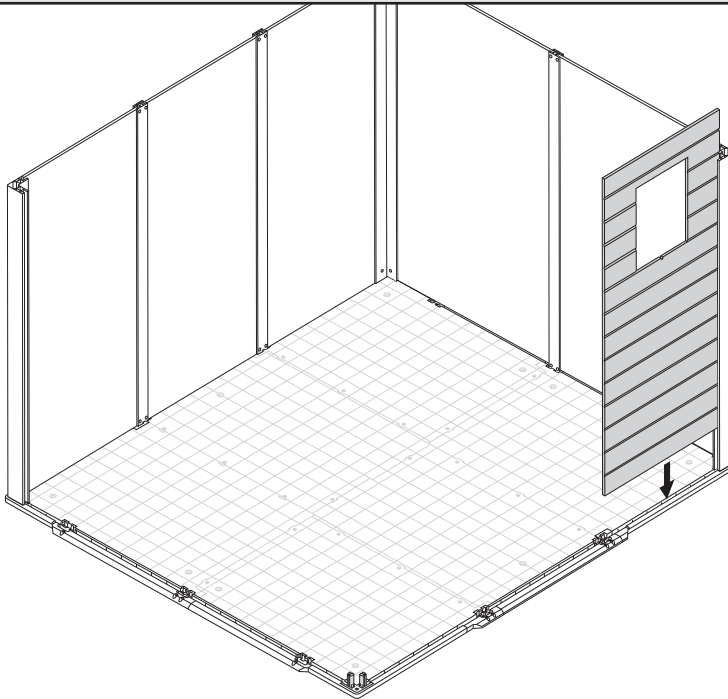
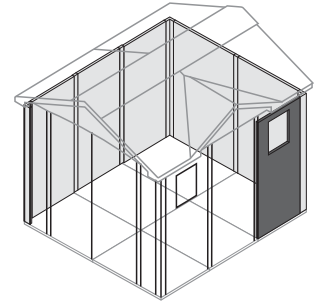
2

s35B(x2)

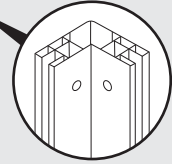
13



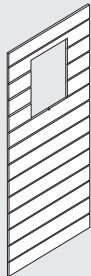
YPW
Window(x1)



14



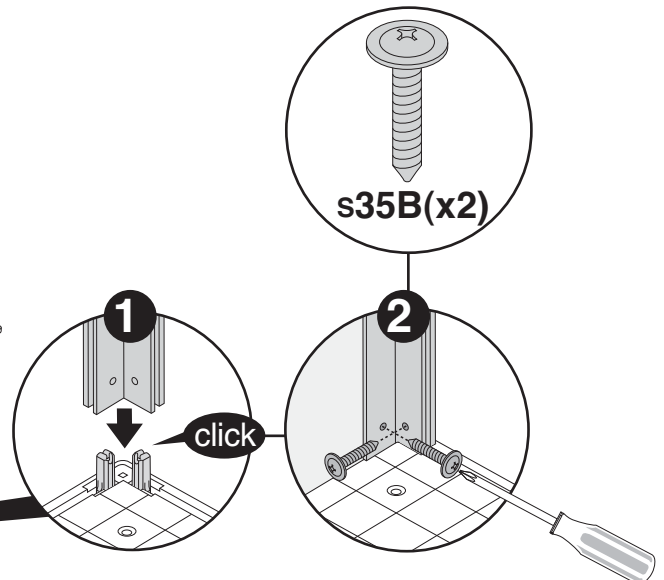
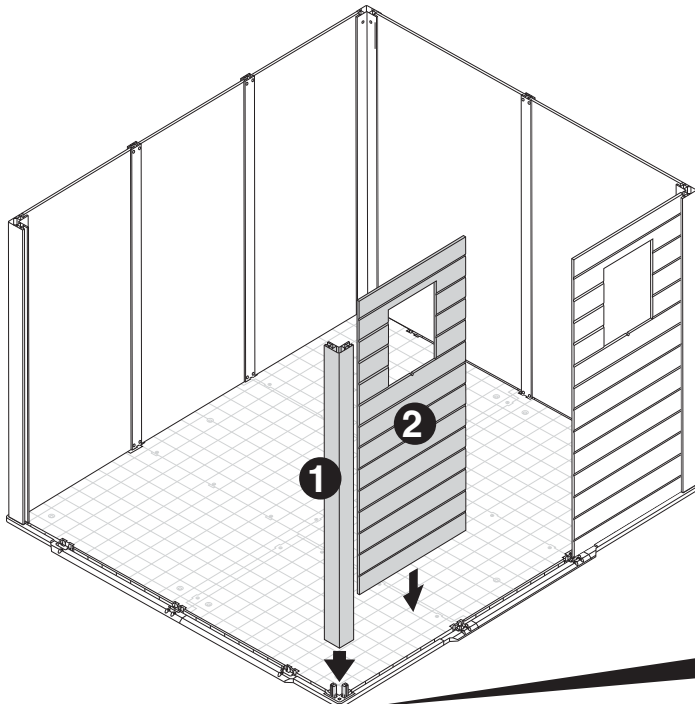
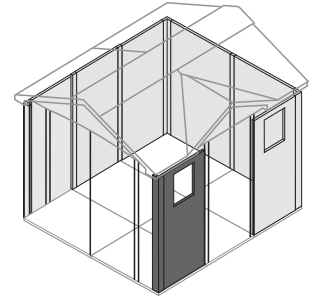
YCO(x1)



YPW
Window(x1)



s35B(x2)



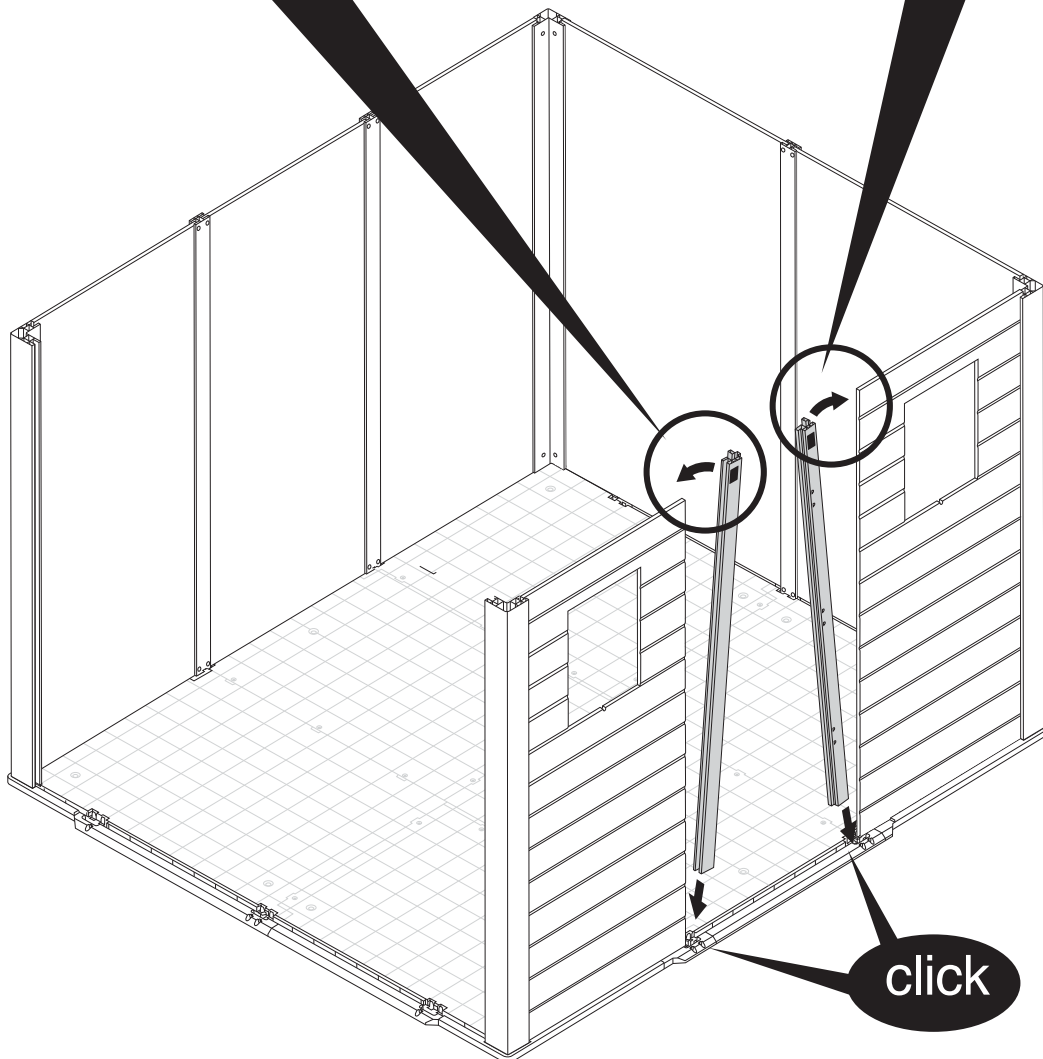
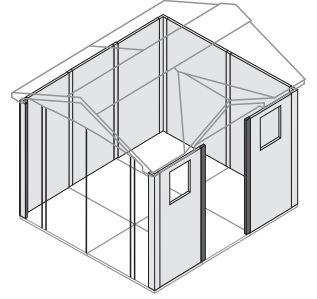
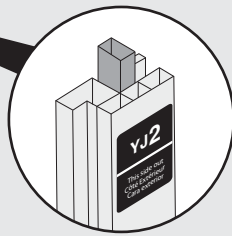
15



YJ1(x1)



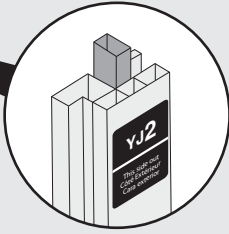
YJ2(x1)



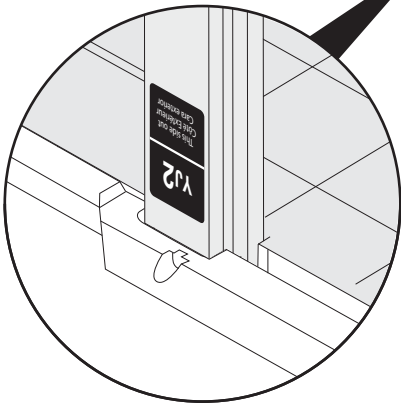
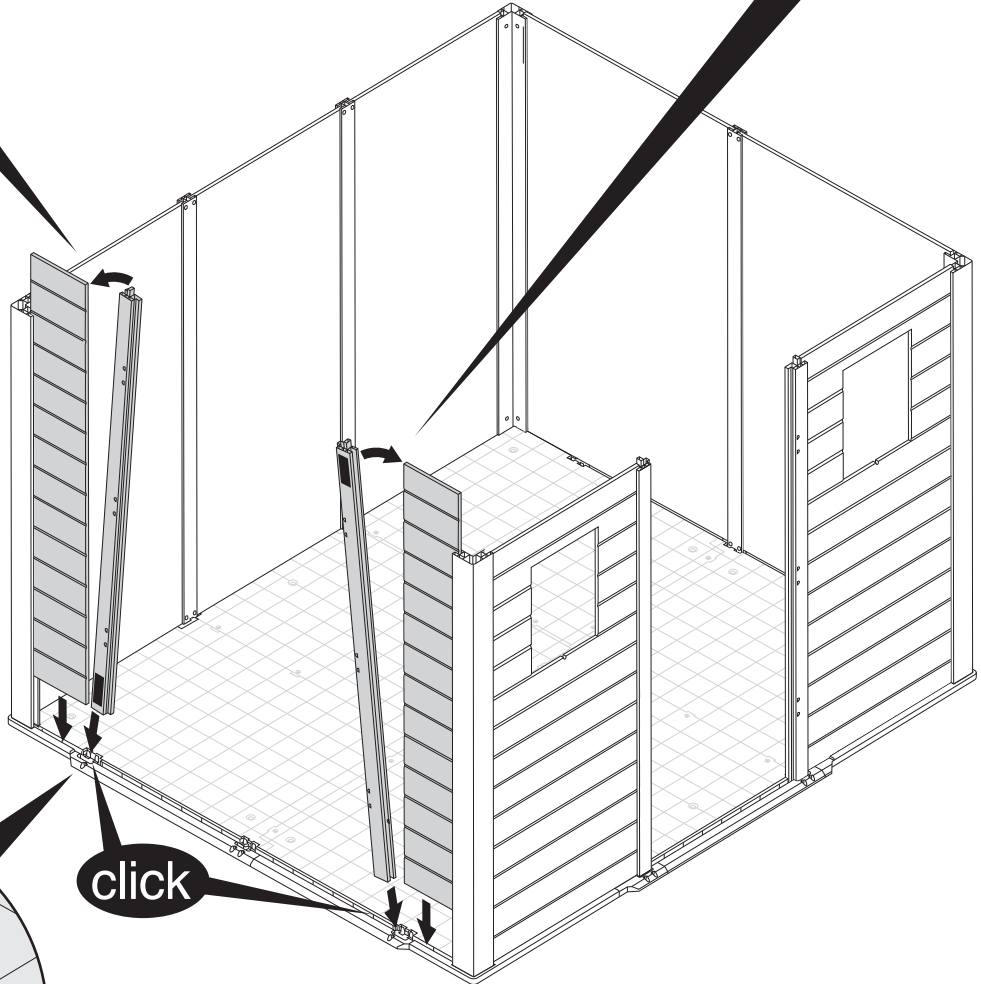
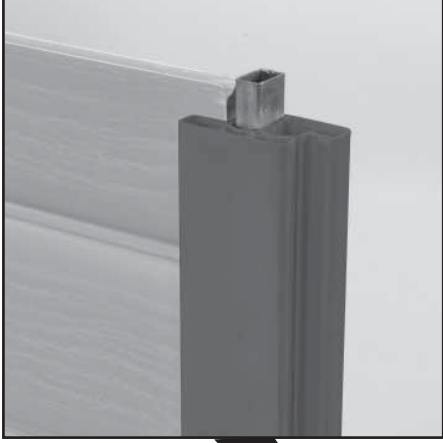
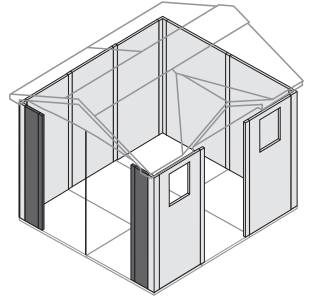
16



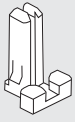
YJ2(x2)



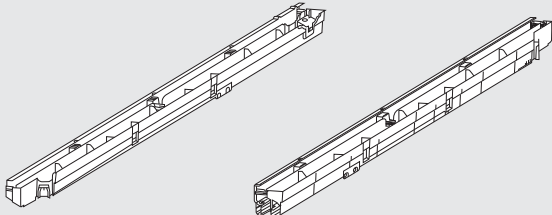
YPC(x2)



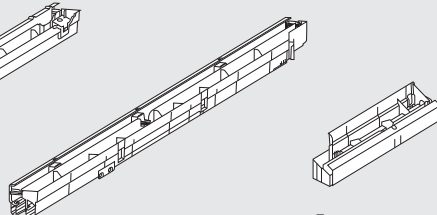
17



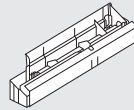
YCC(x4)



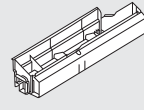
YFF(x1)



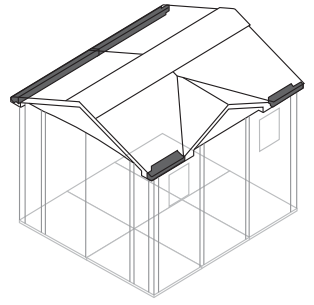
YFM(x1)



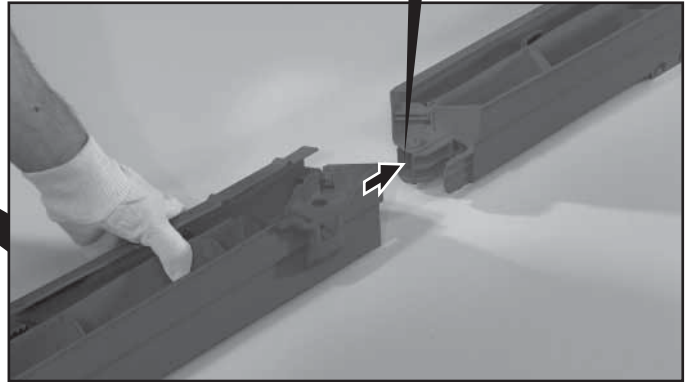
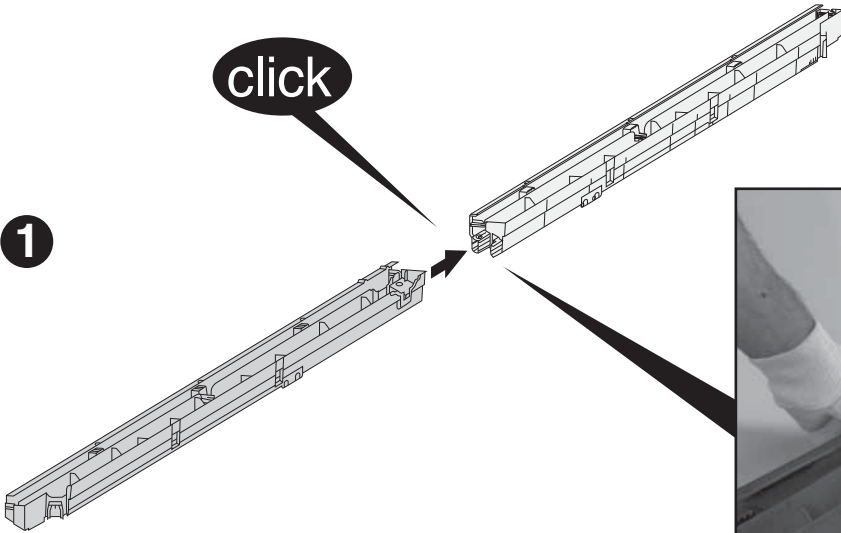
YEL1(x1)



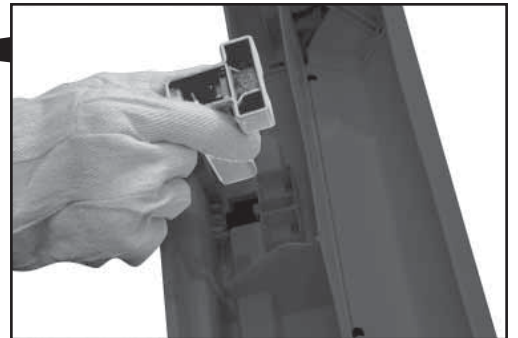
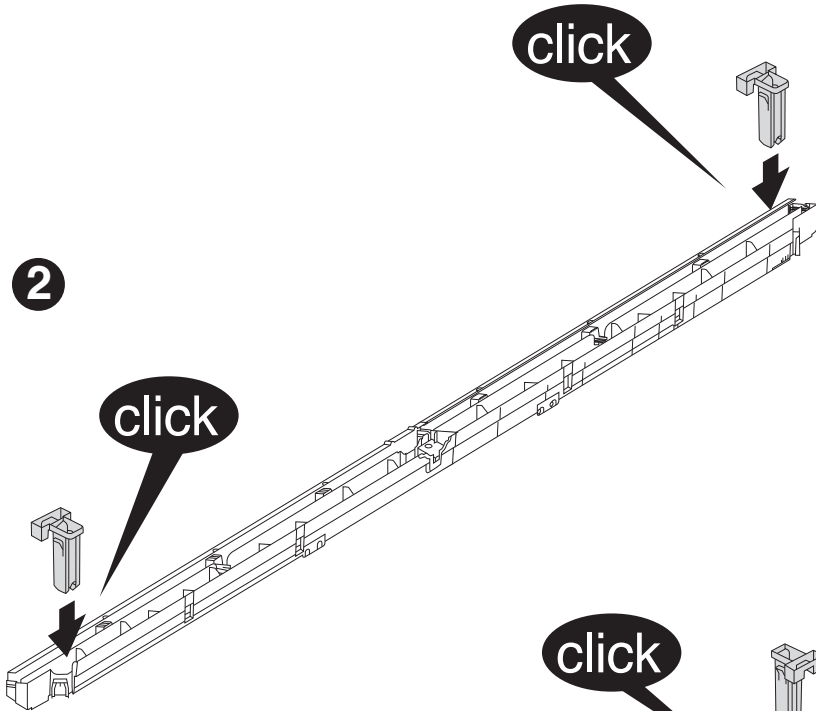
YER1(x1)



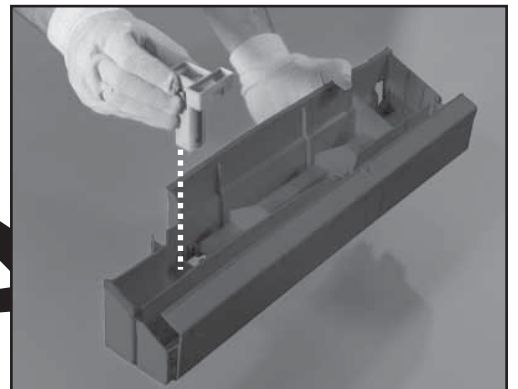
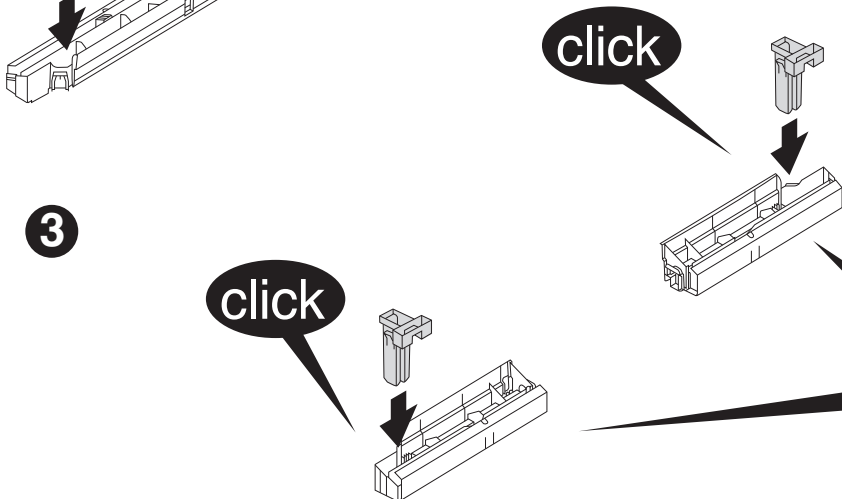
1

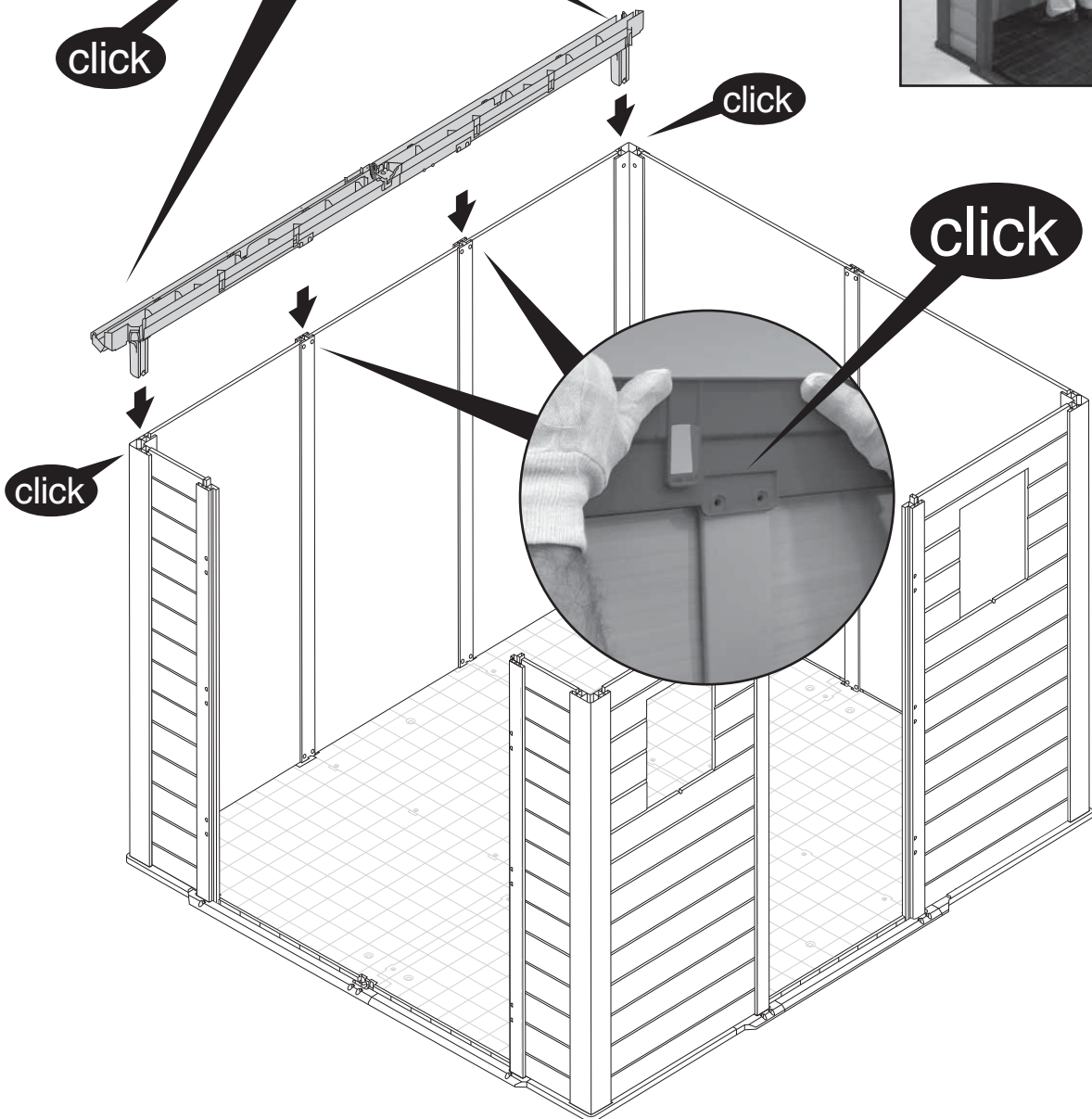
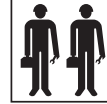
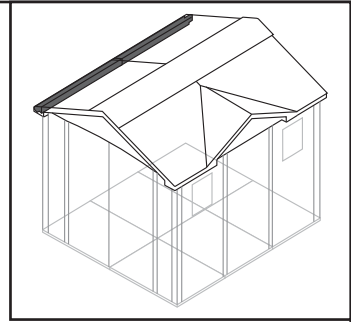
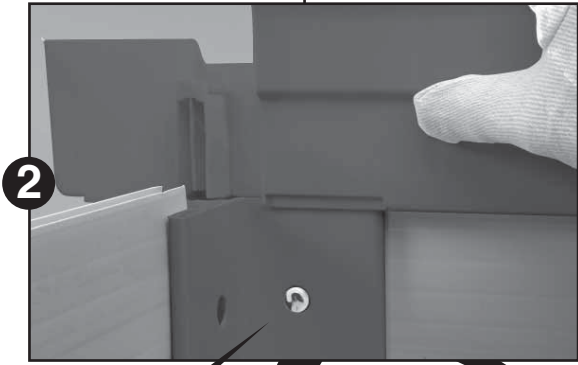
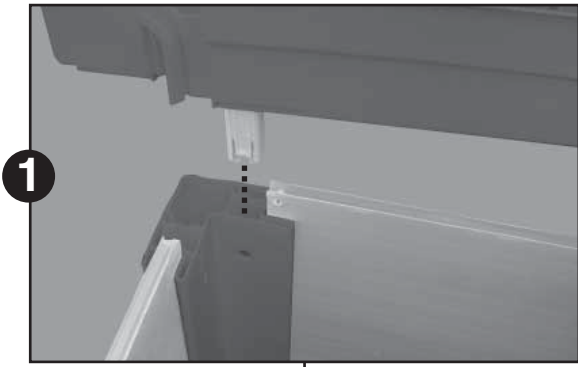


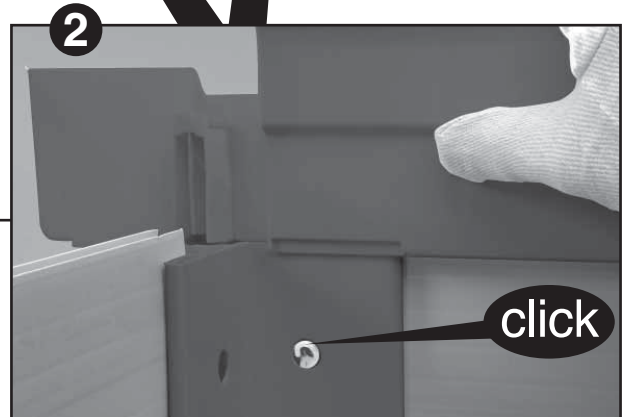
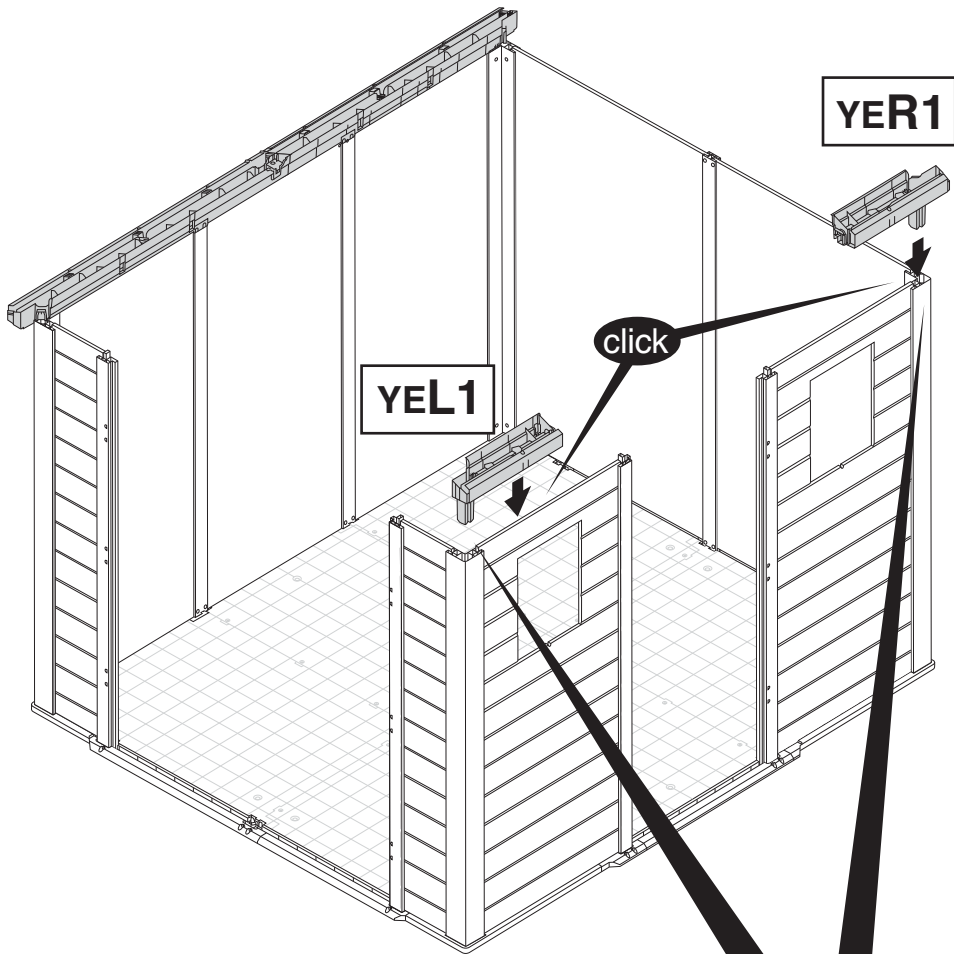
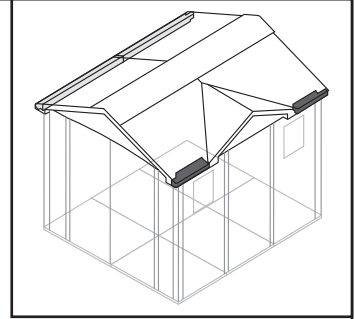
2



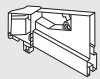
3



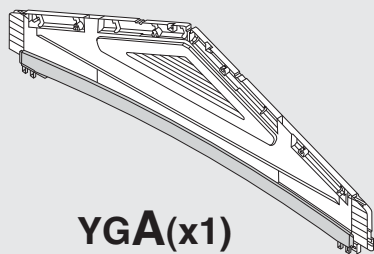




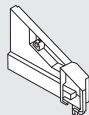
20



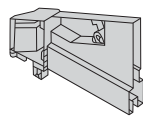
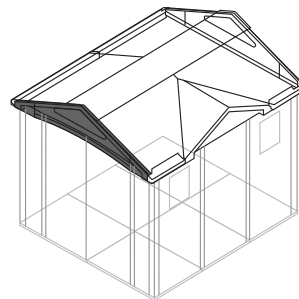
YGL(x1)



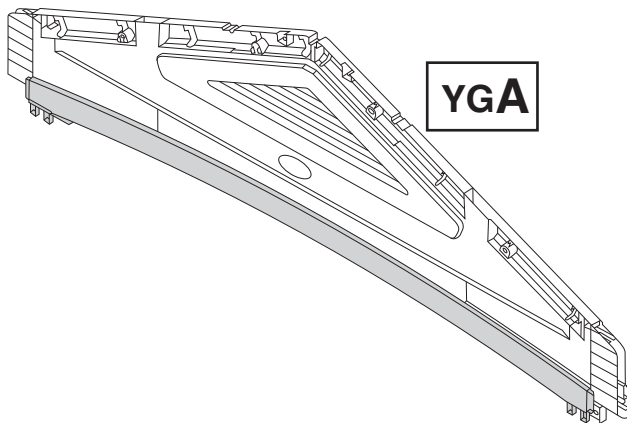
YGA(x1)



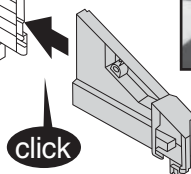
YGR(x1)



click



YGA



click



1



2

click

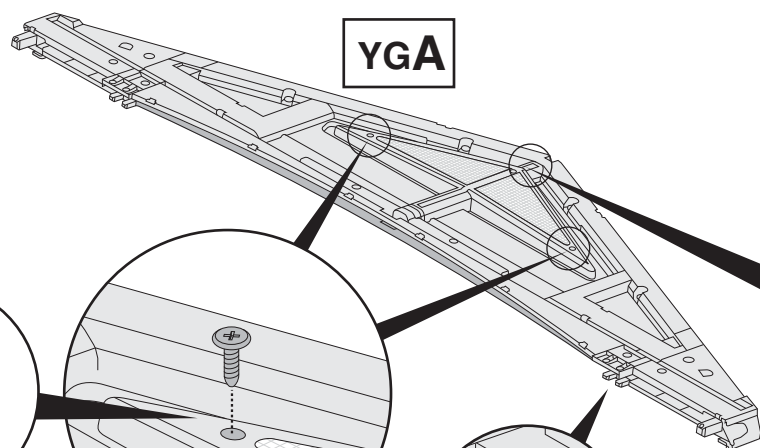
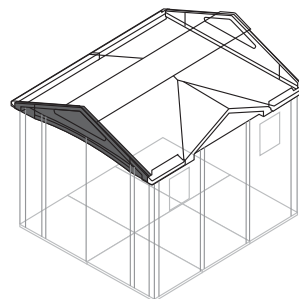
21



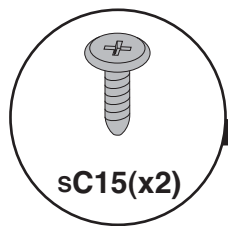
SC15(x2)



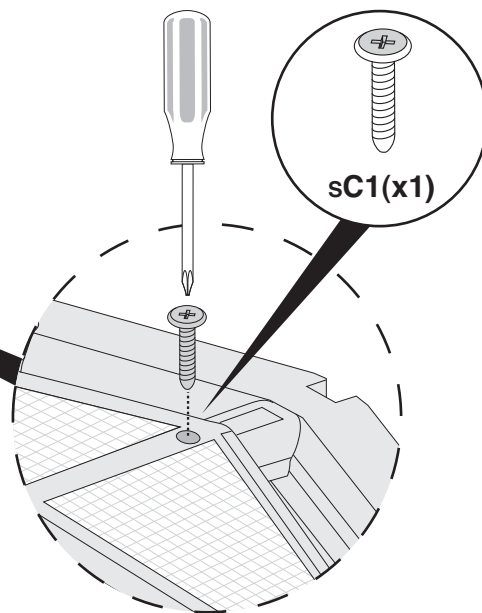
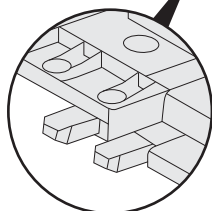
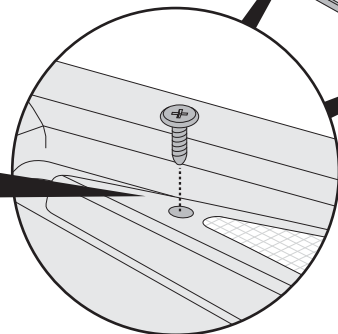
SC1(x1)



YGA



SC15(x2)

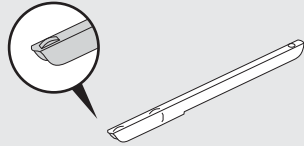


SC1(x1)

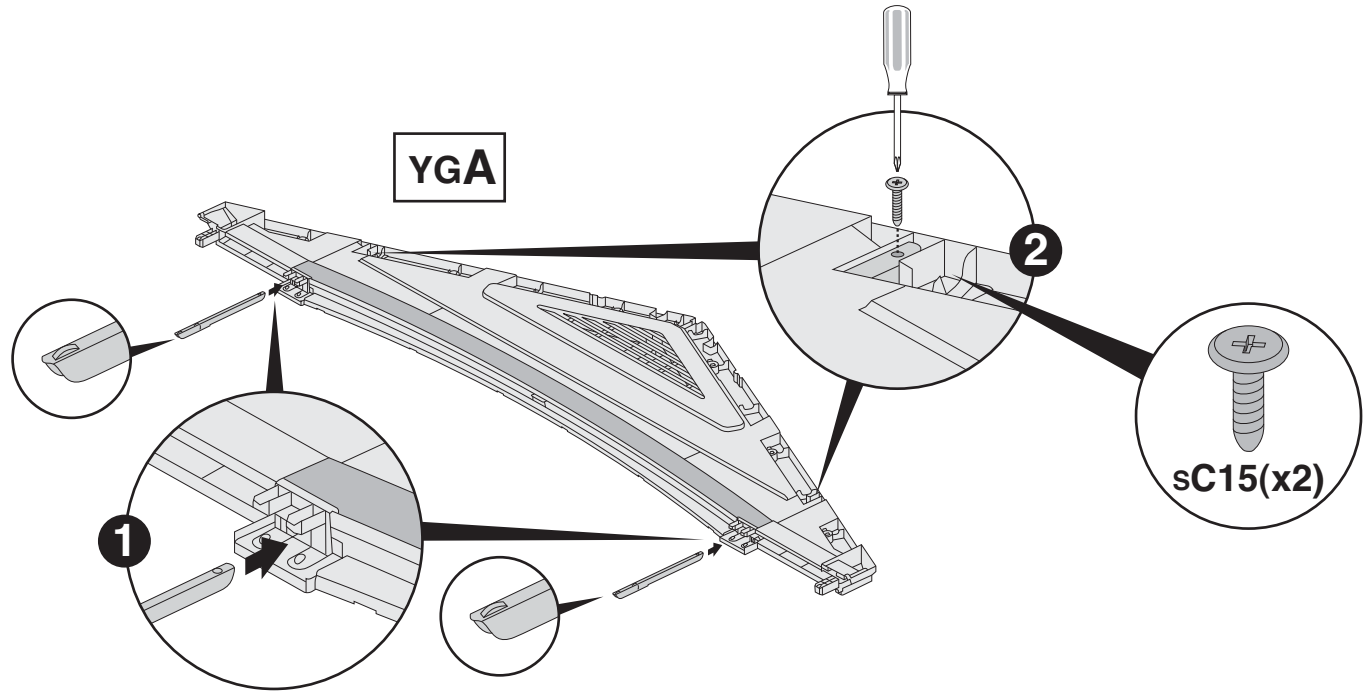
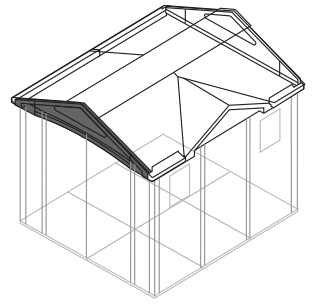
22



sC15(x2)



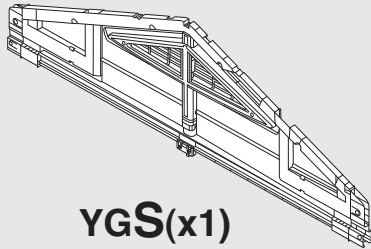
YM18(x2)



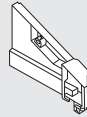
23



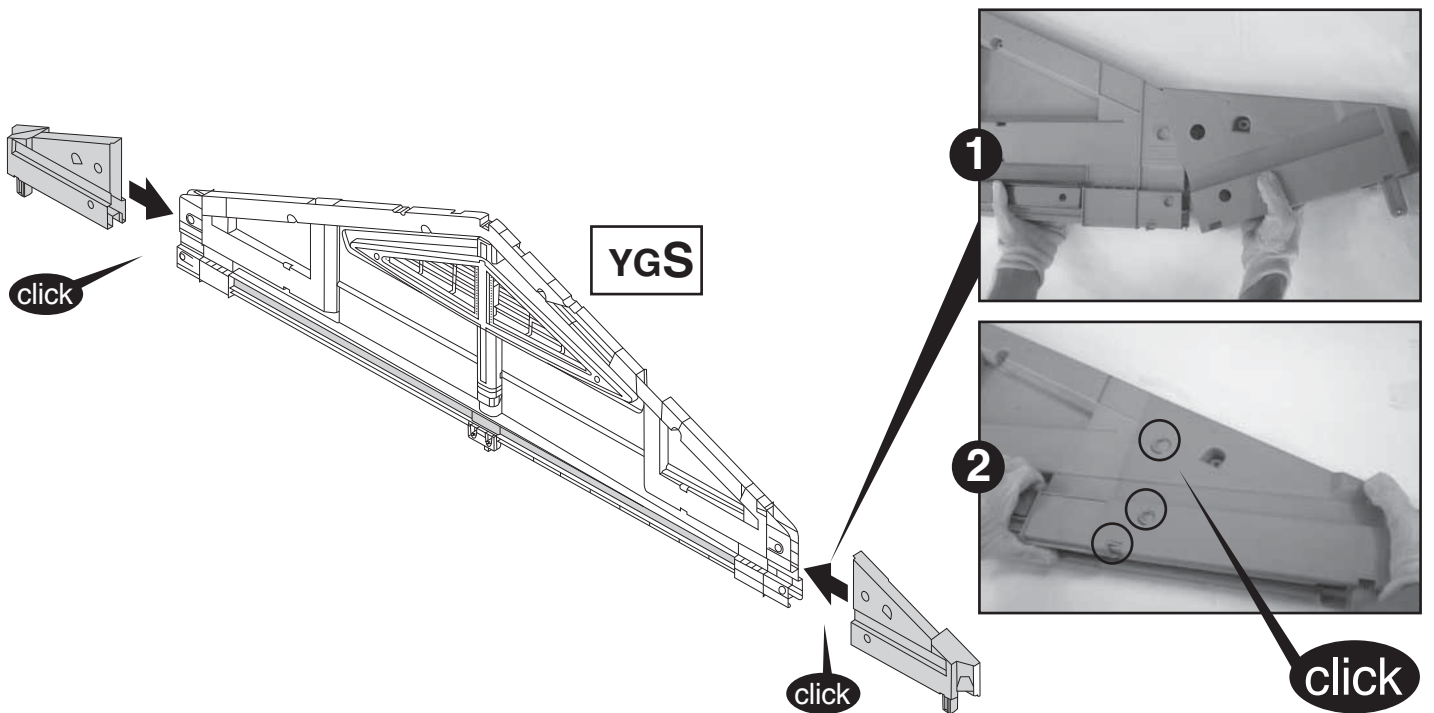
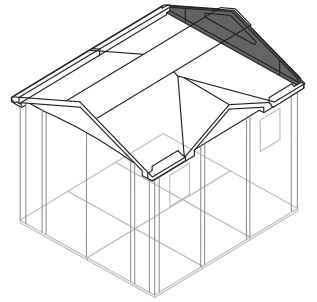
YGL(x1)



YGS(x1)



YGR(x1)



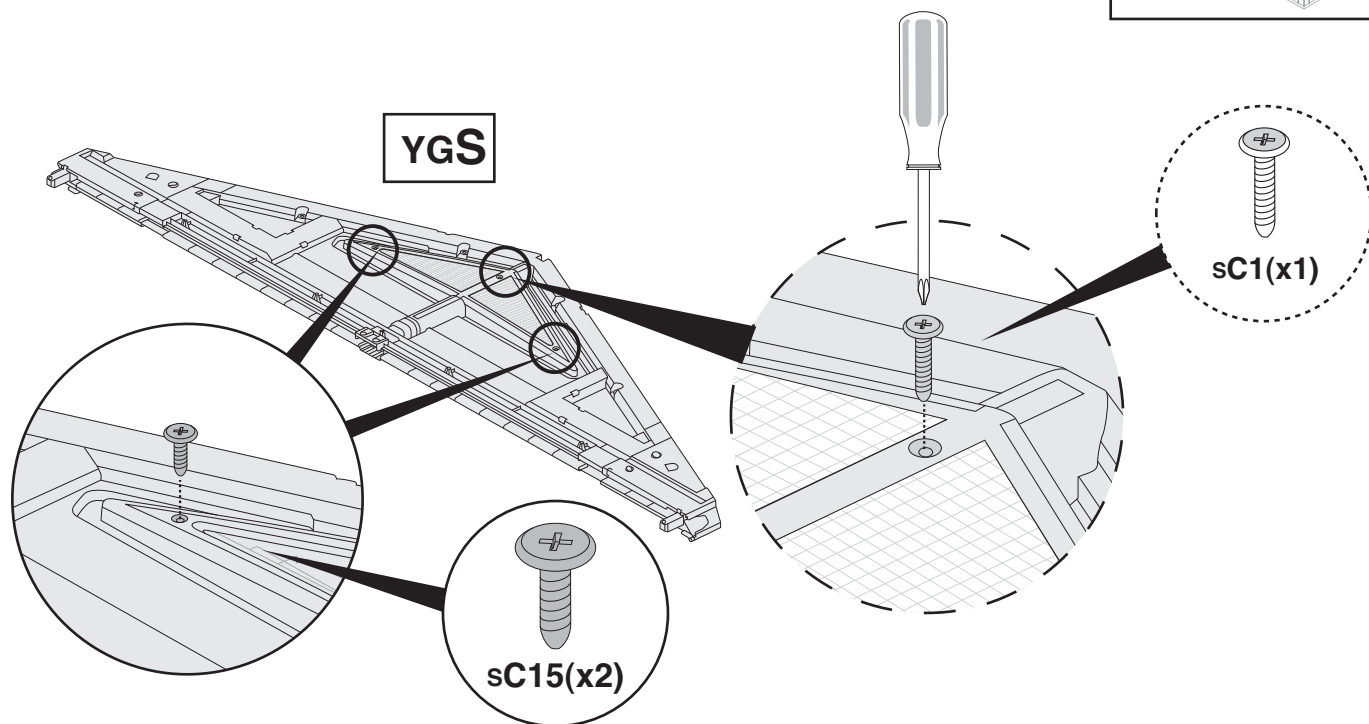
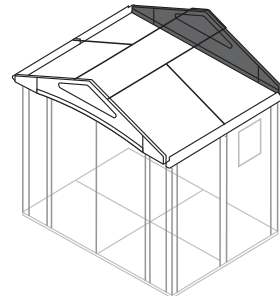
24



sC15(x2)



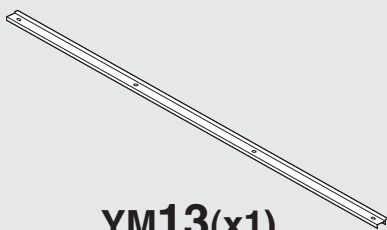
sC1(x1)



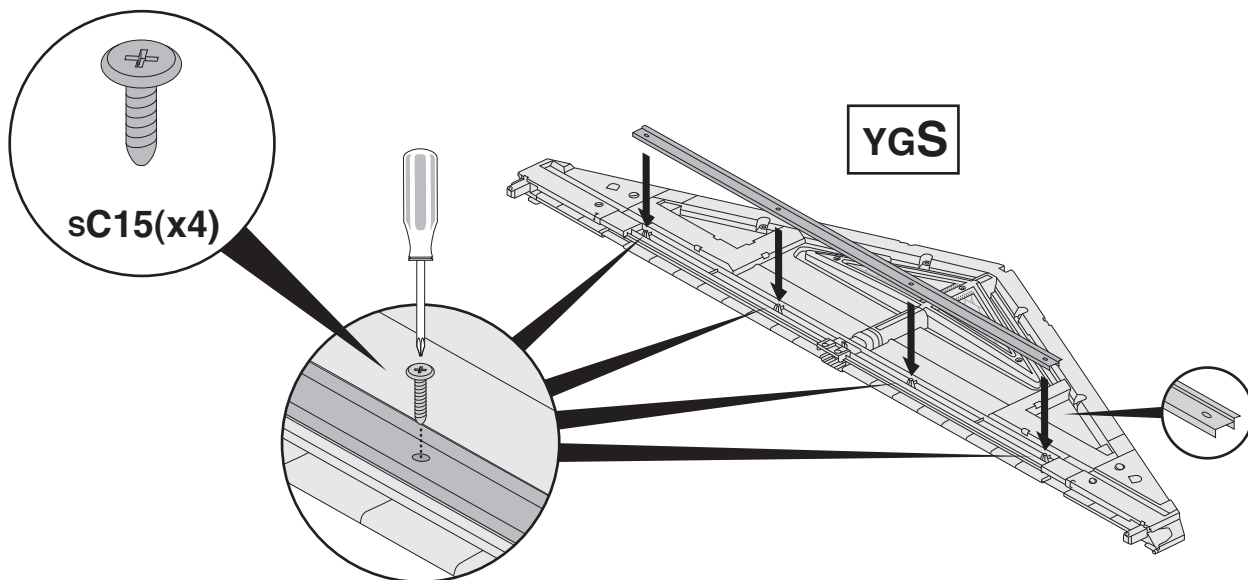
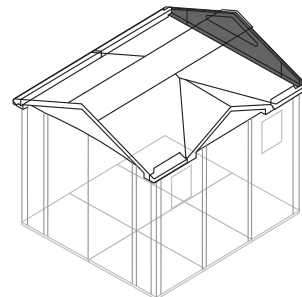
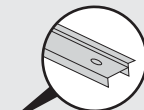
25

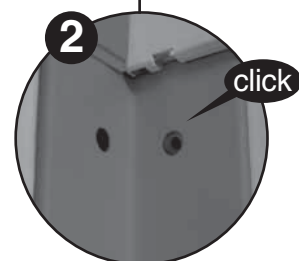
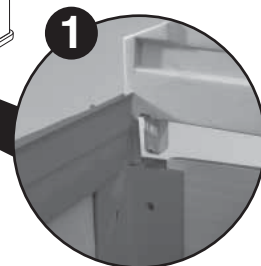
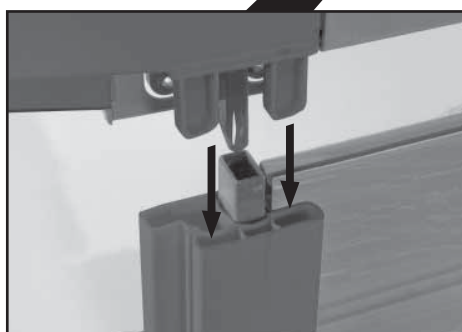
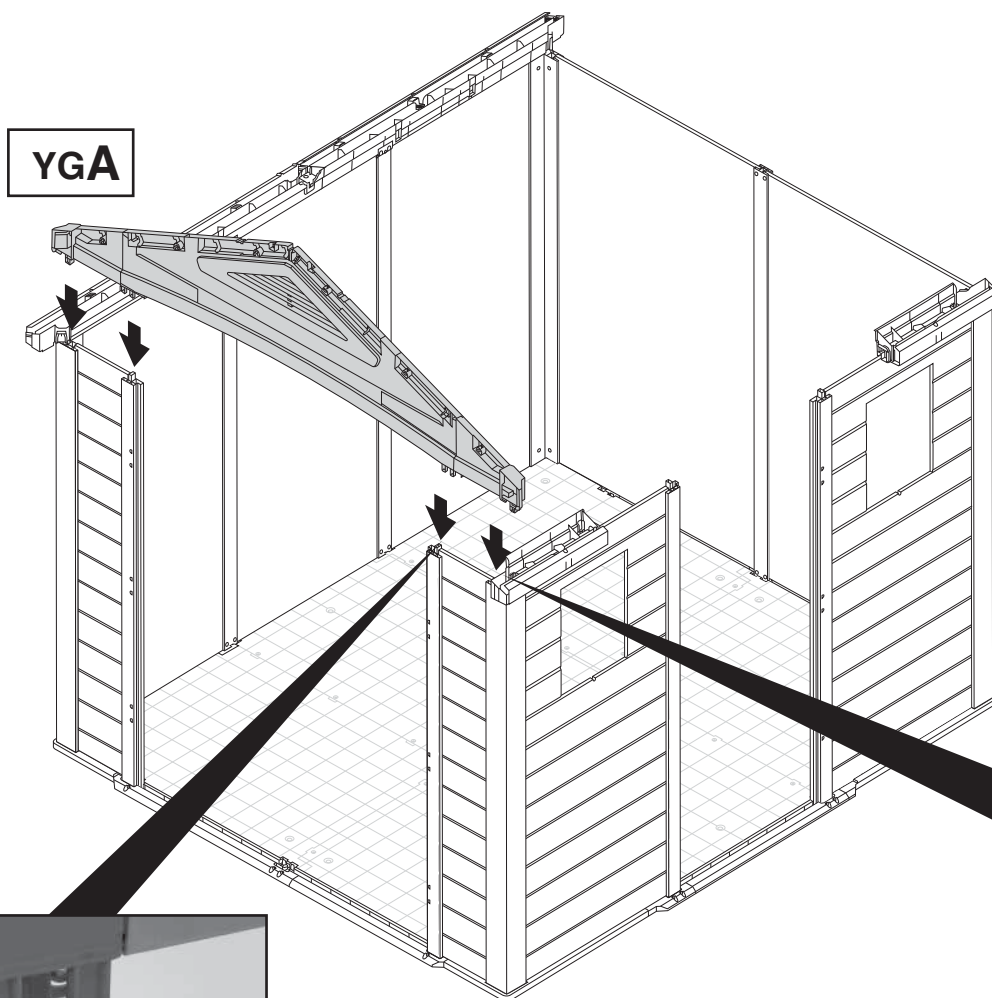
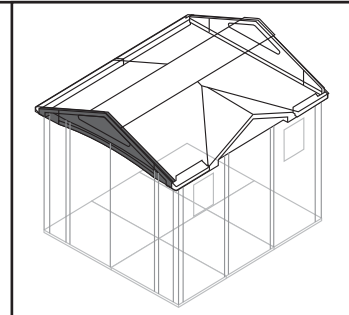


sC15(x4)

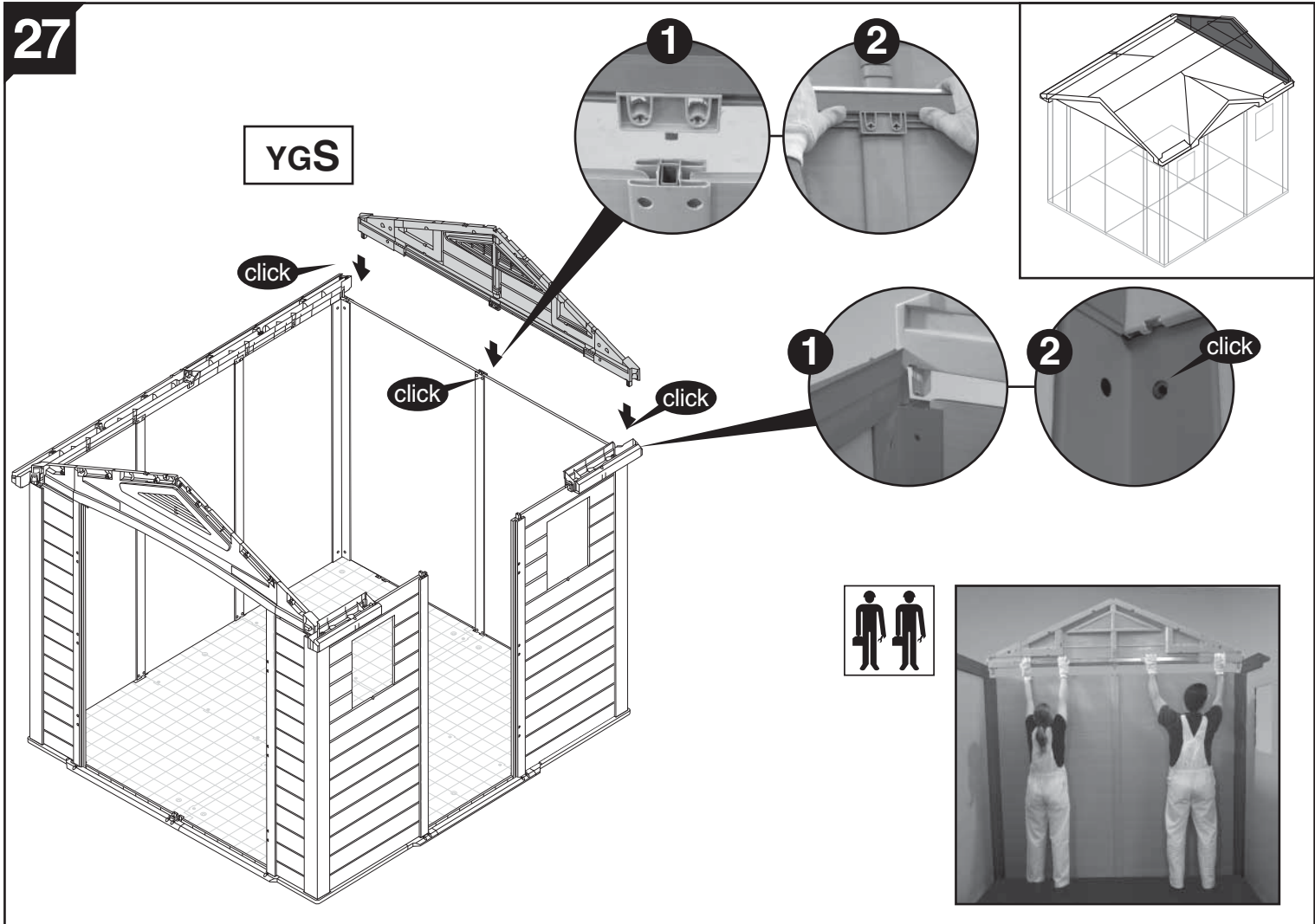


YM13(x1)

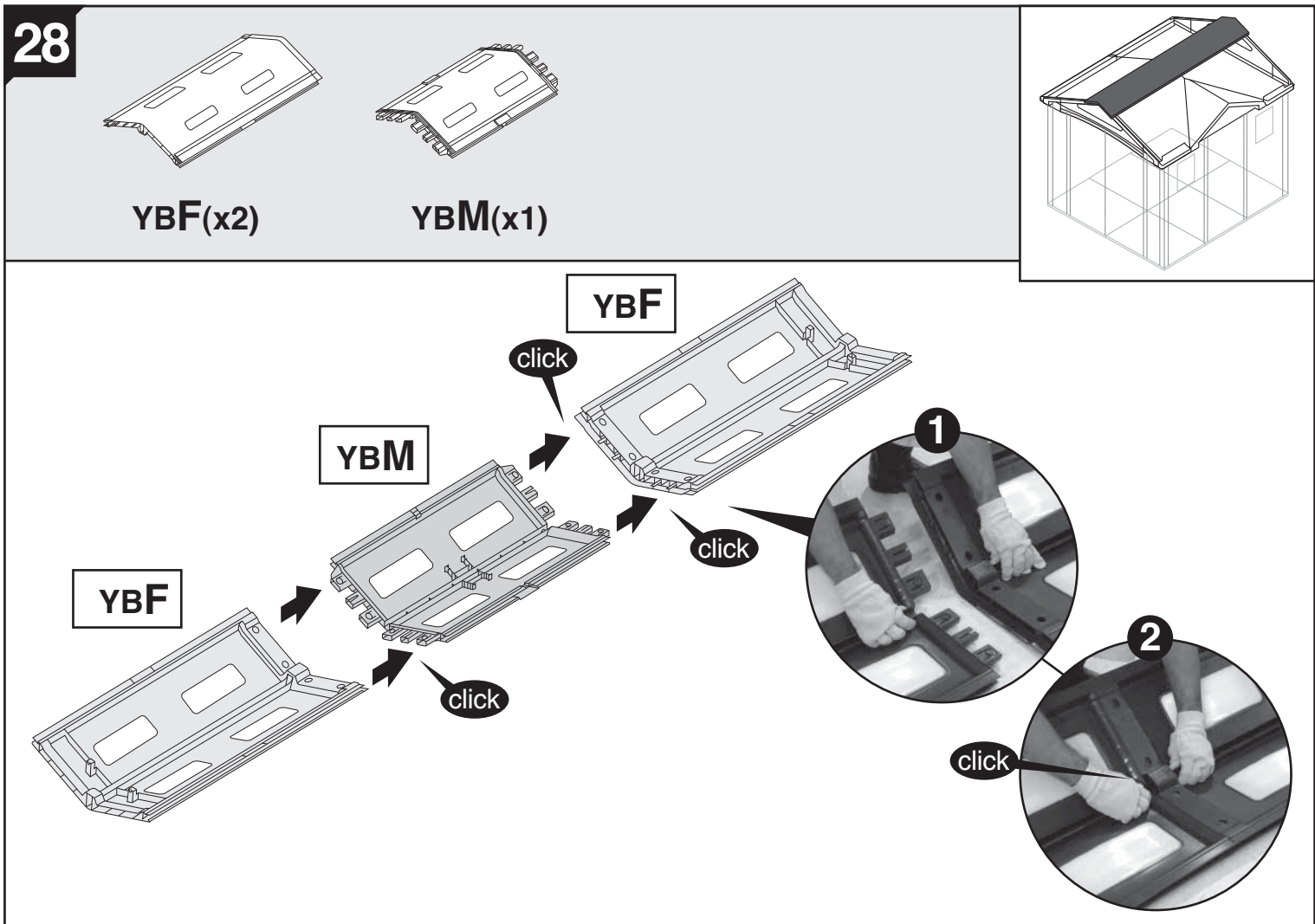




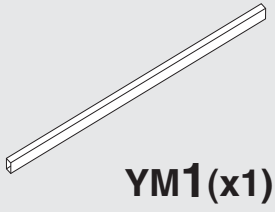
27



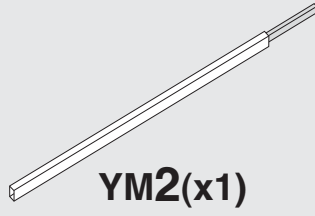
28



29



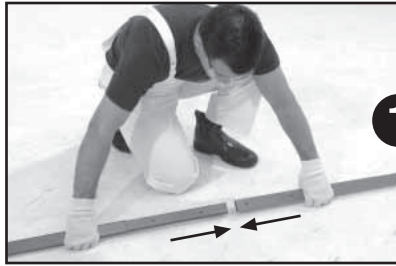
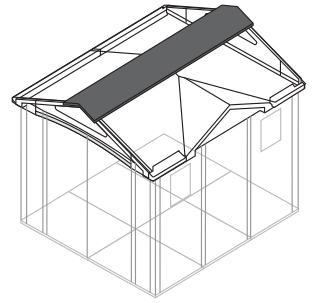
YM1(x1)



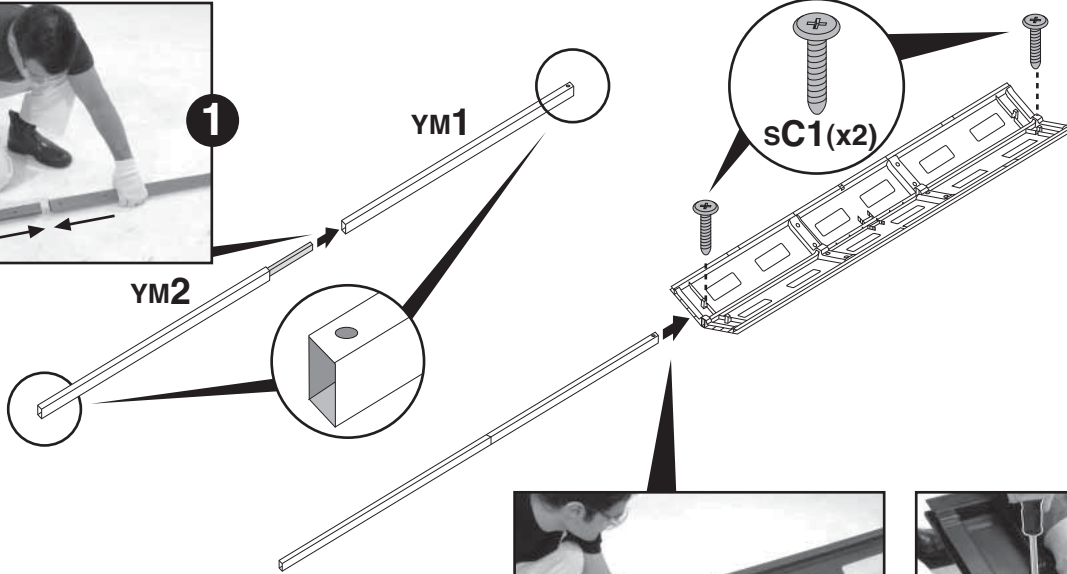
YM2(x1)



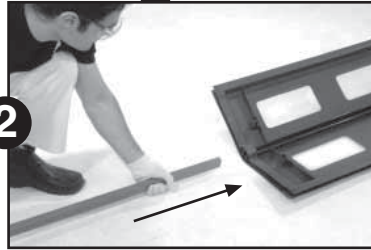
SC1(x2)



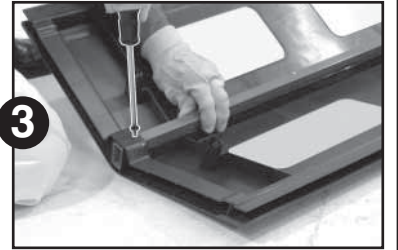
1



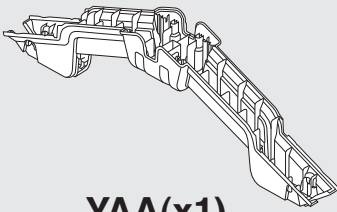
2



3



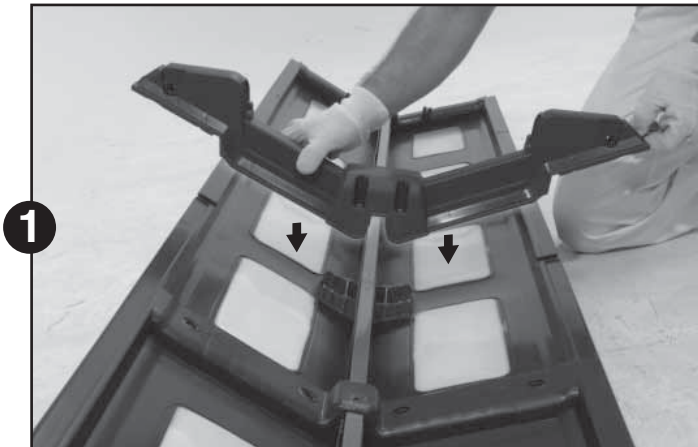
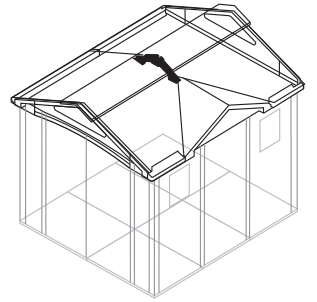
30



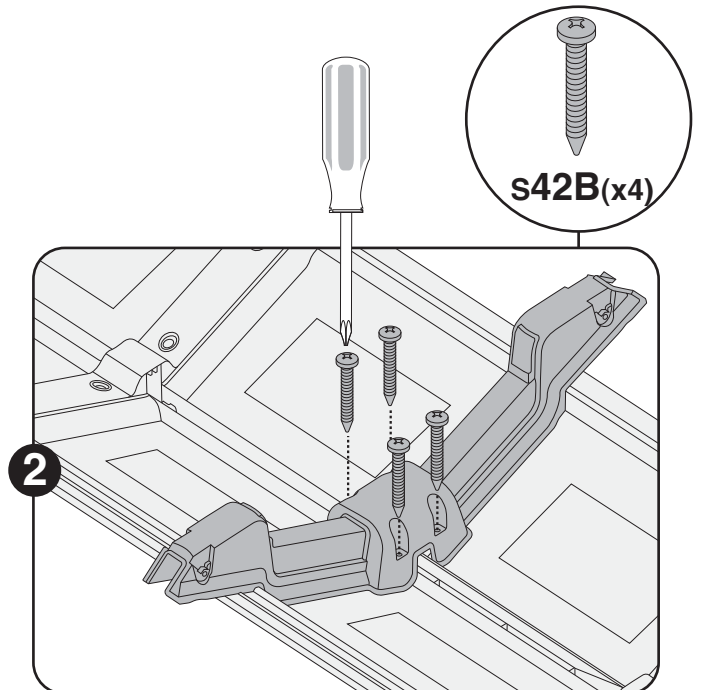
YAA(x1)



s42B(x4)



1

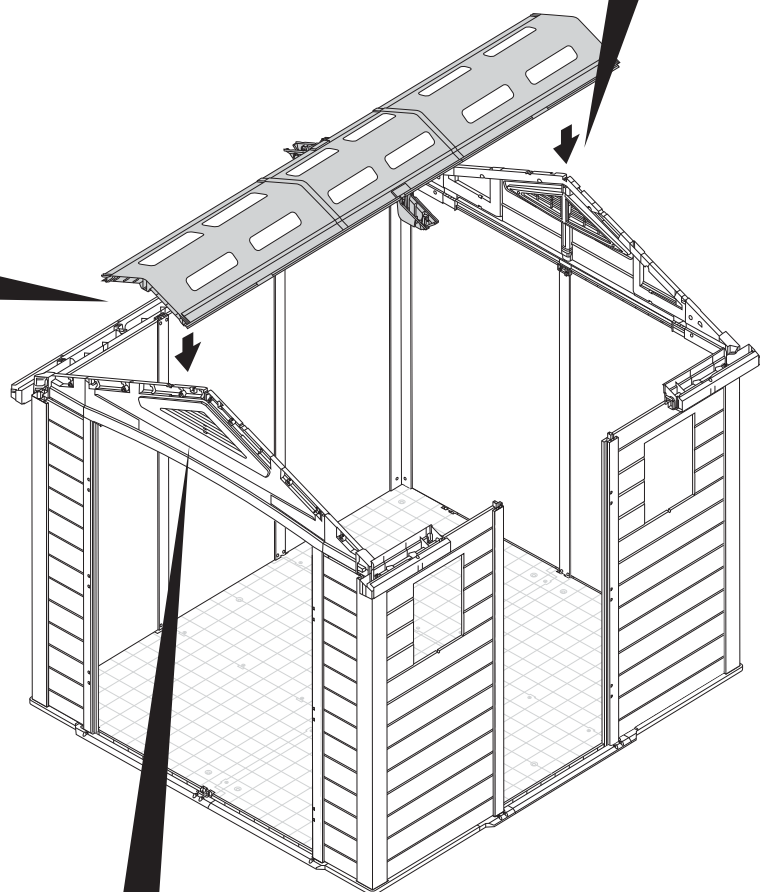
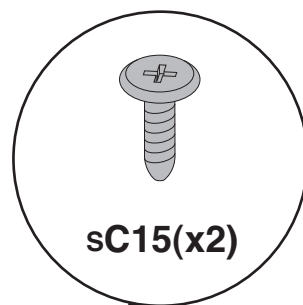
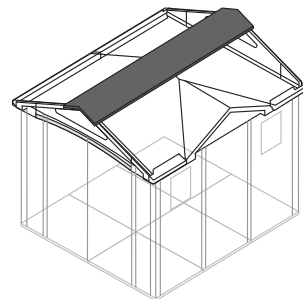


2

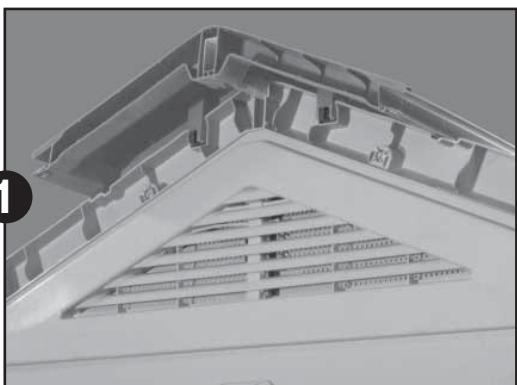
31



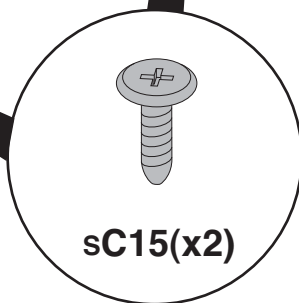
sC15(x4)



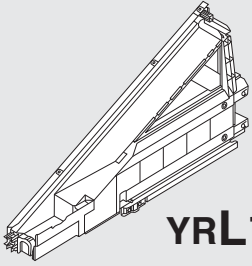
1



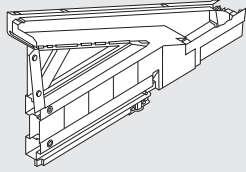
2



32



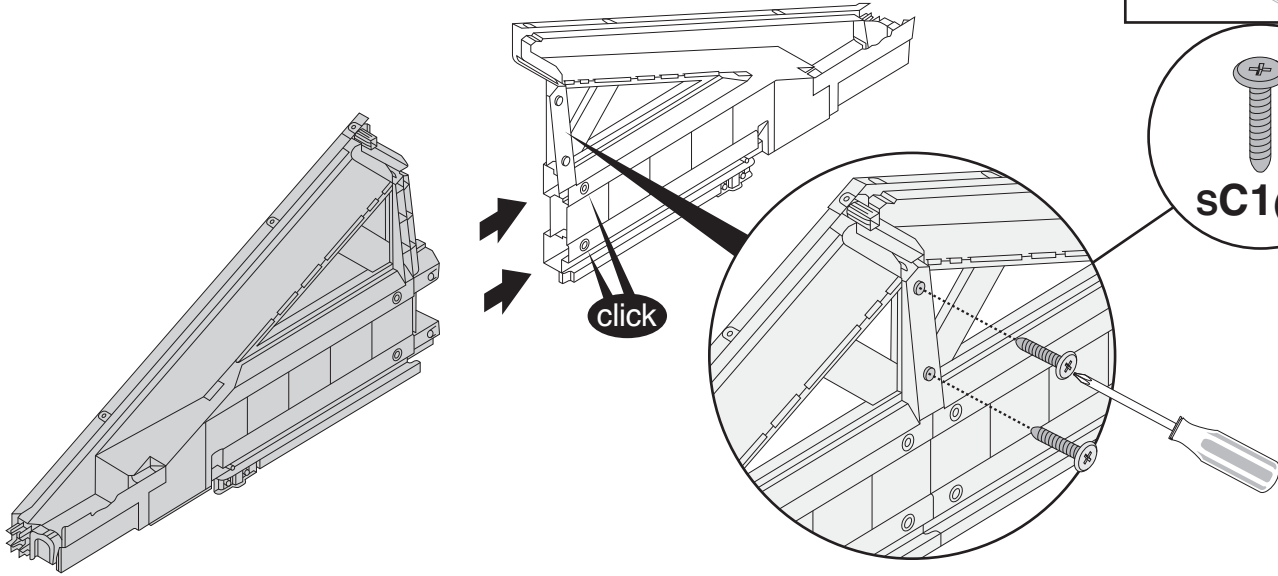
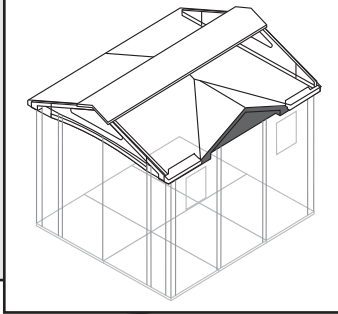
YRL1(x1)



YRR1(x1)



SC1(x2)



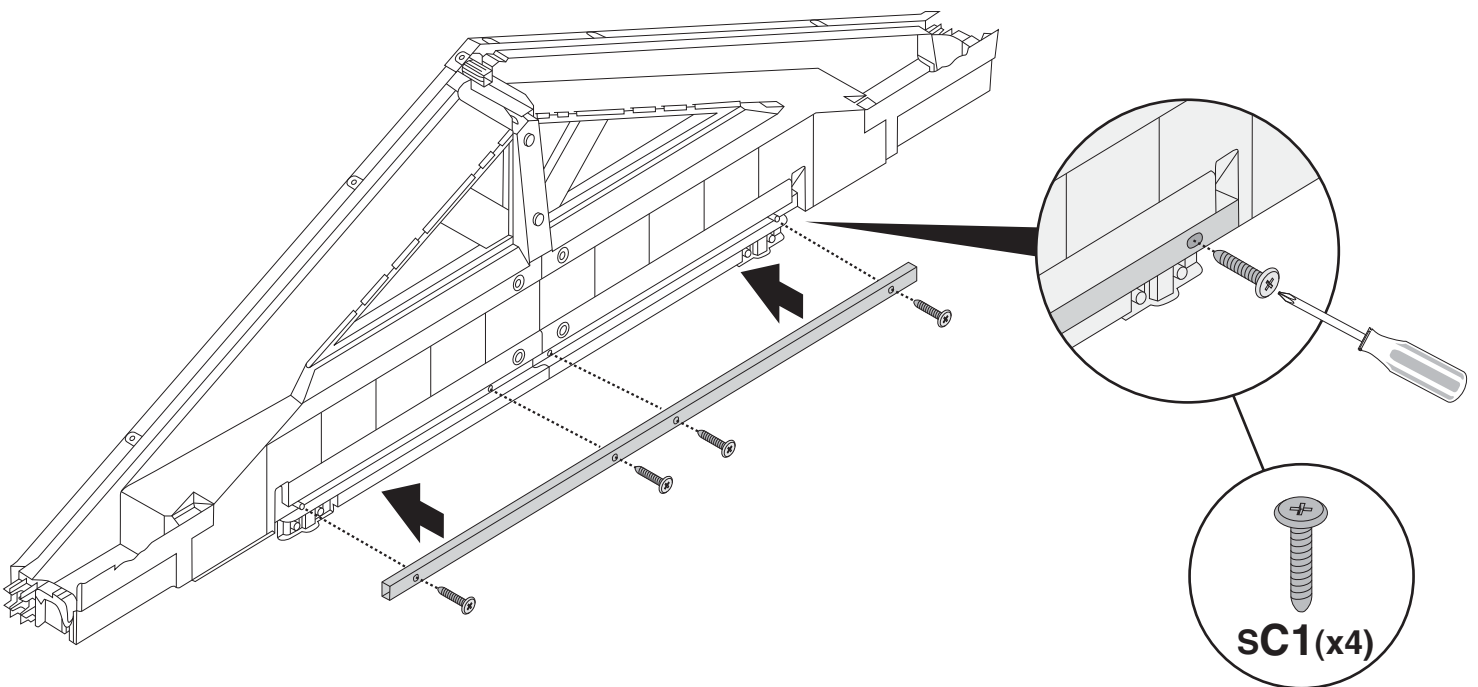
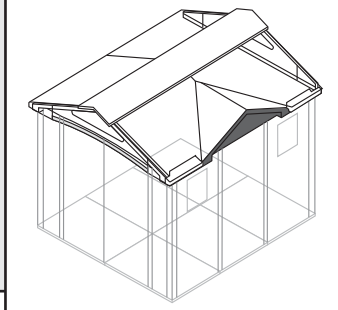
33



YM3(x1)



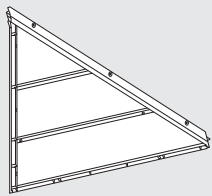
SC1(x4)



34



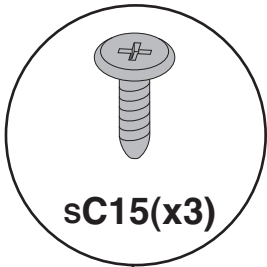
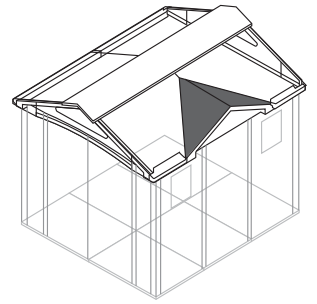
YRB(x1)



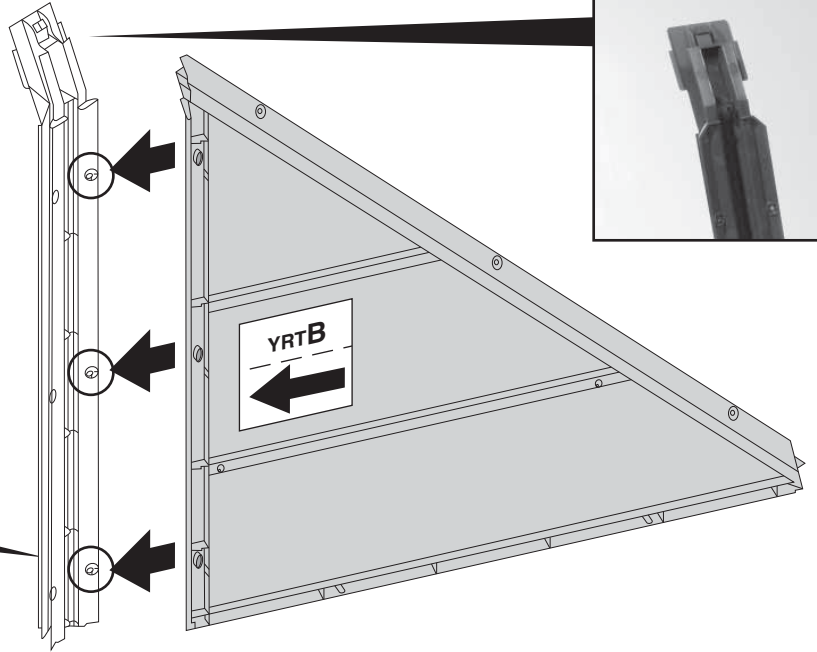
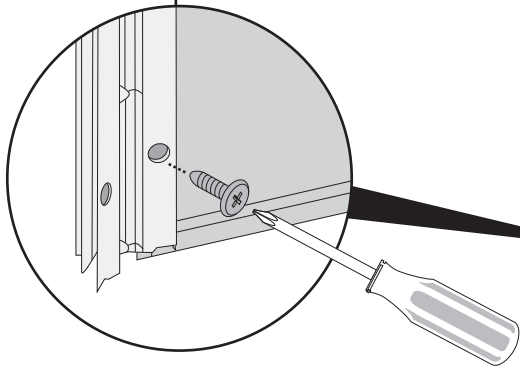
YRTB(x1)



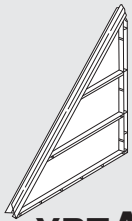
SC15(x3)



SC15(x3)



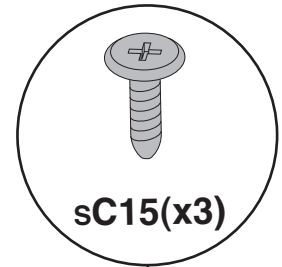
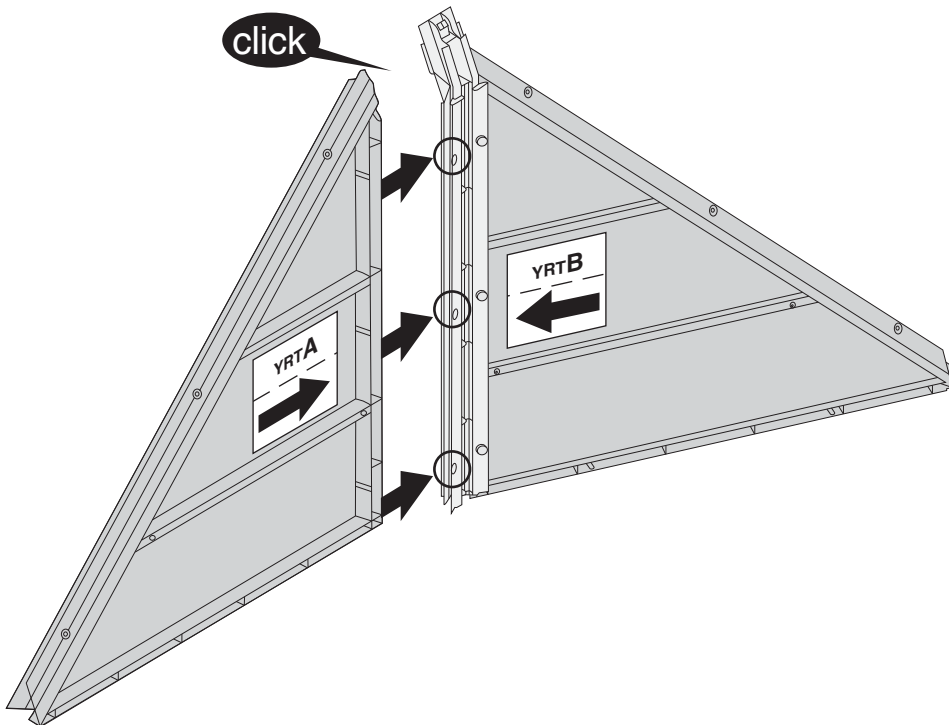
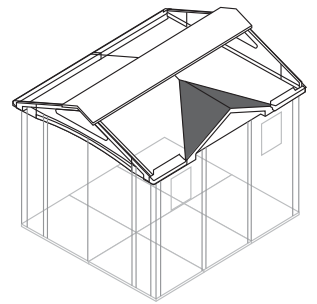
35



YRTA(x1)



SC15(x3)



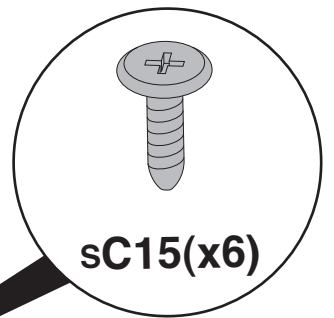
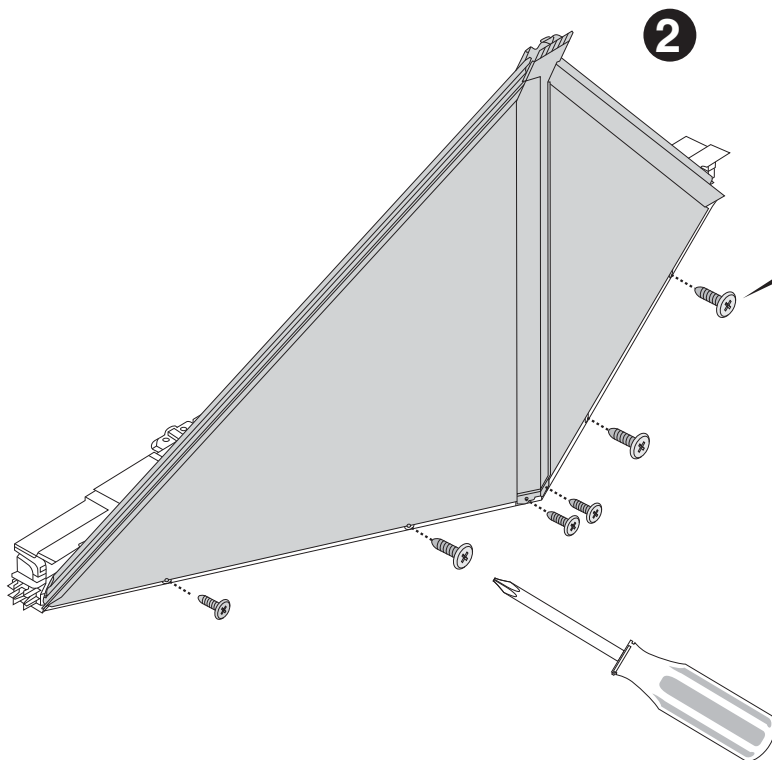
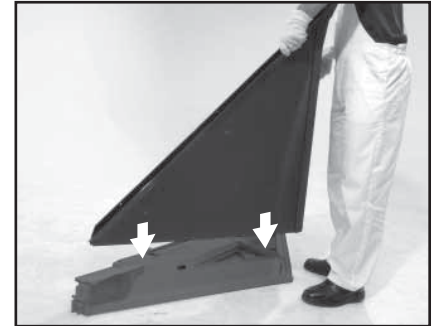
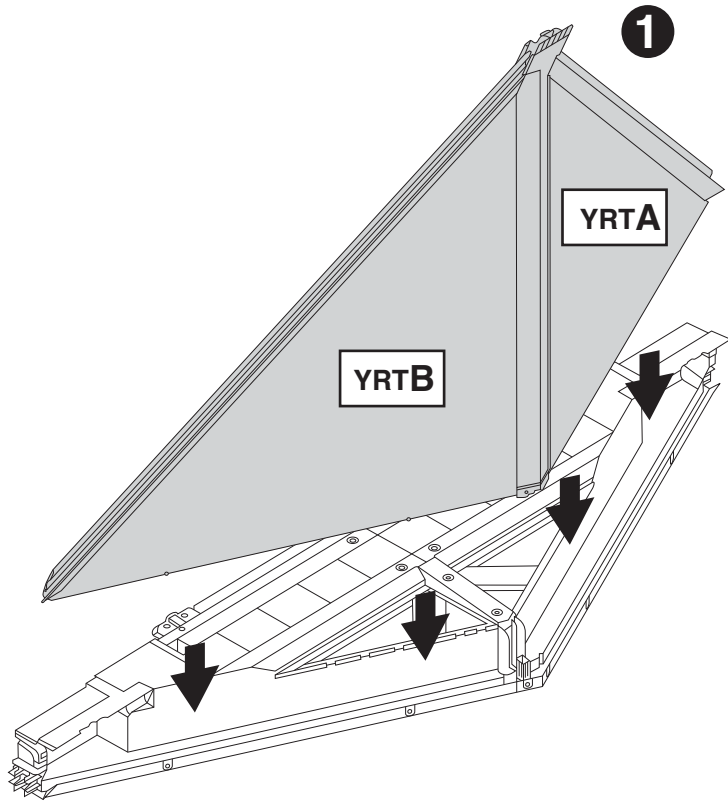
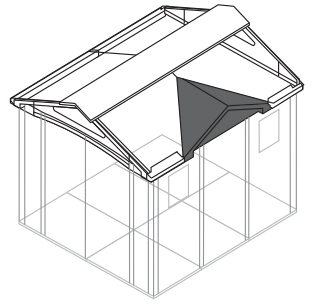
SC15(x3)

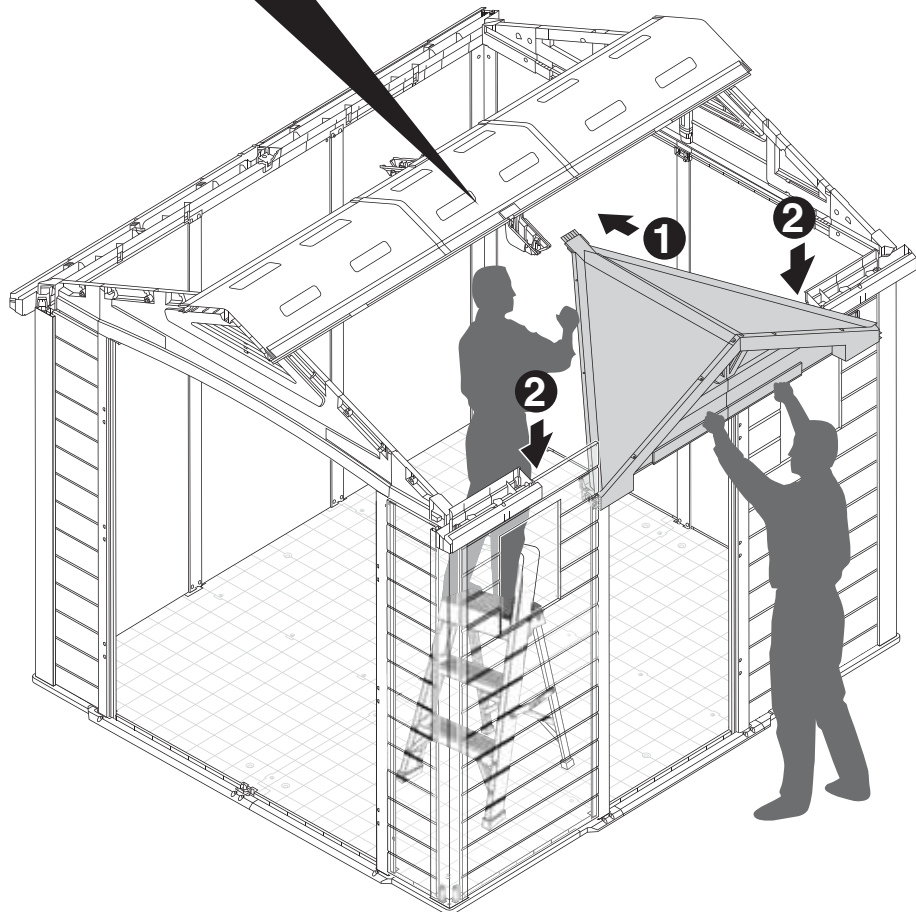
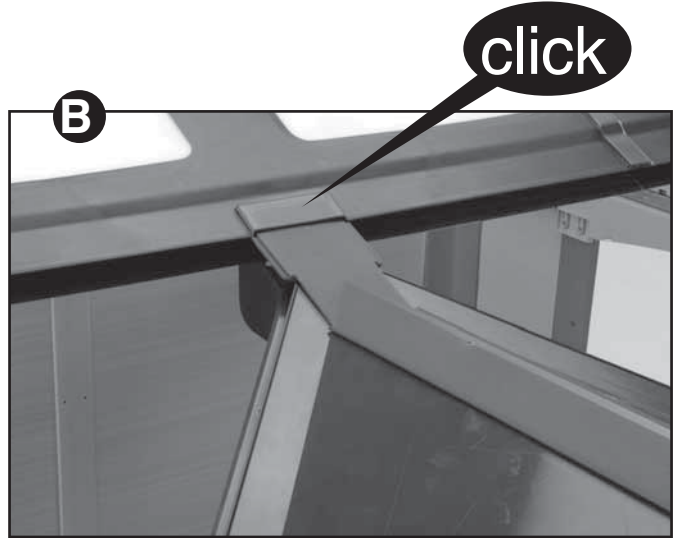
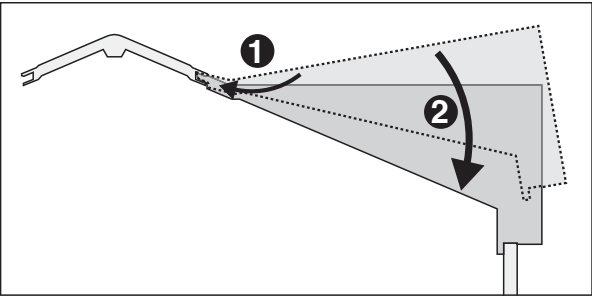
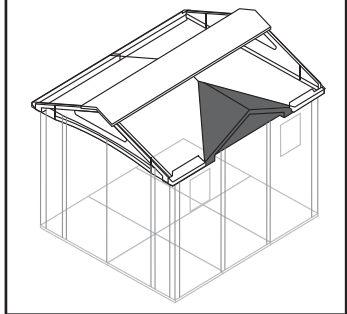


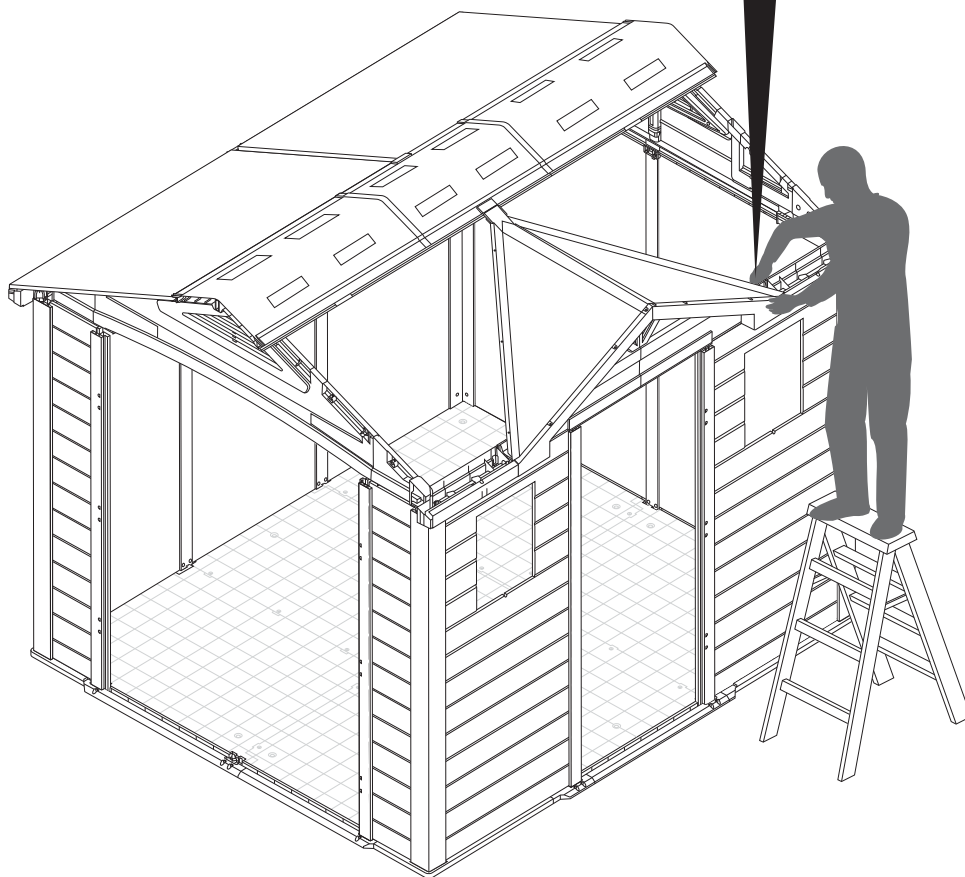
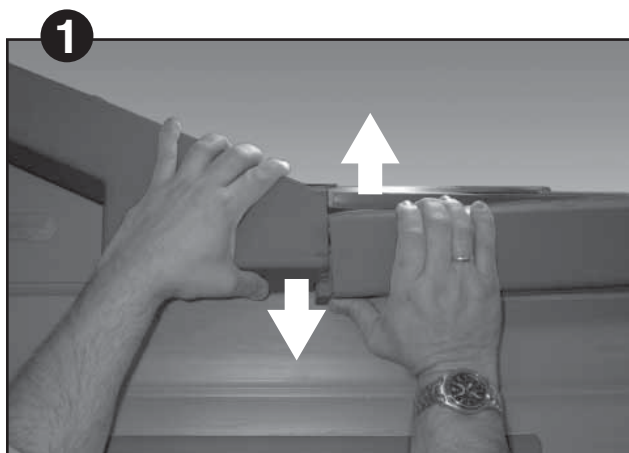
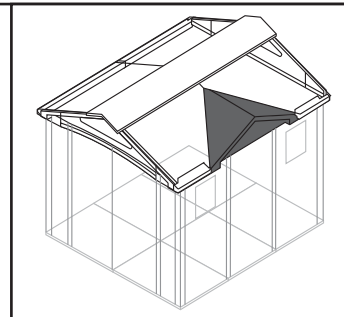
36



sC15(x6)



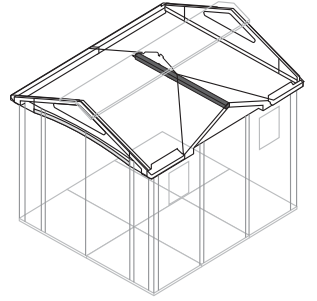
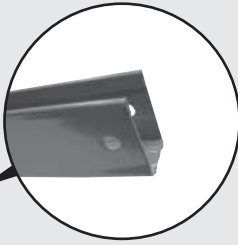




click



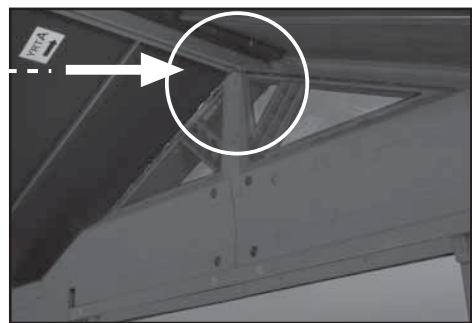
YM4(x1)



1



2

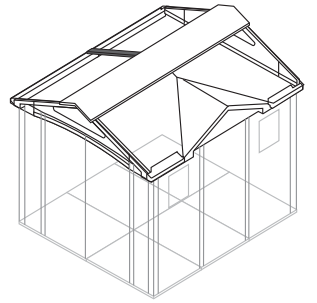
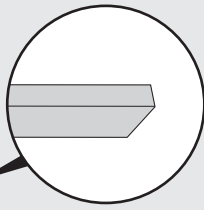


3

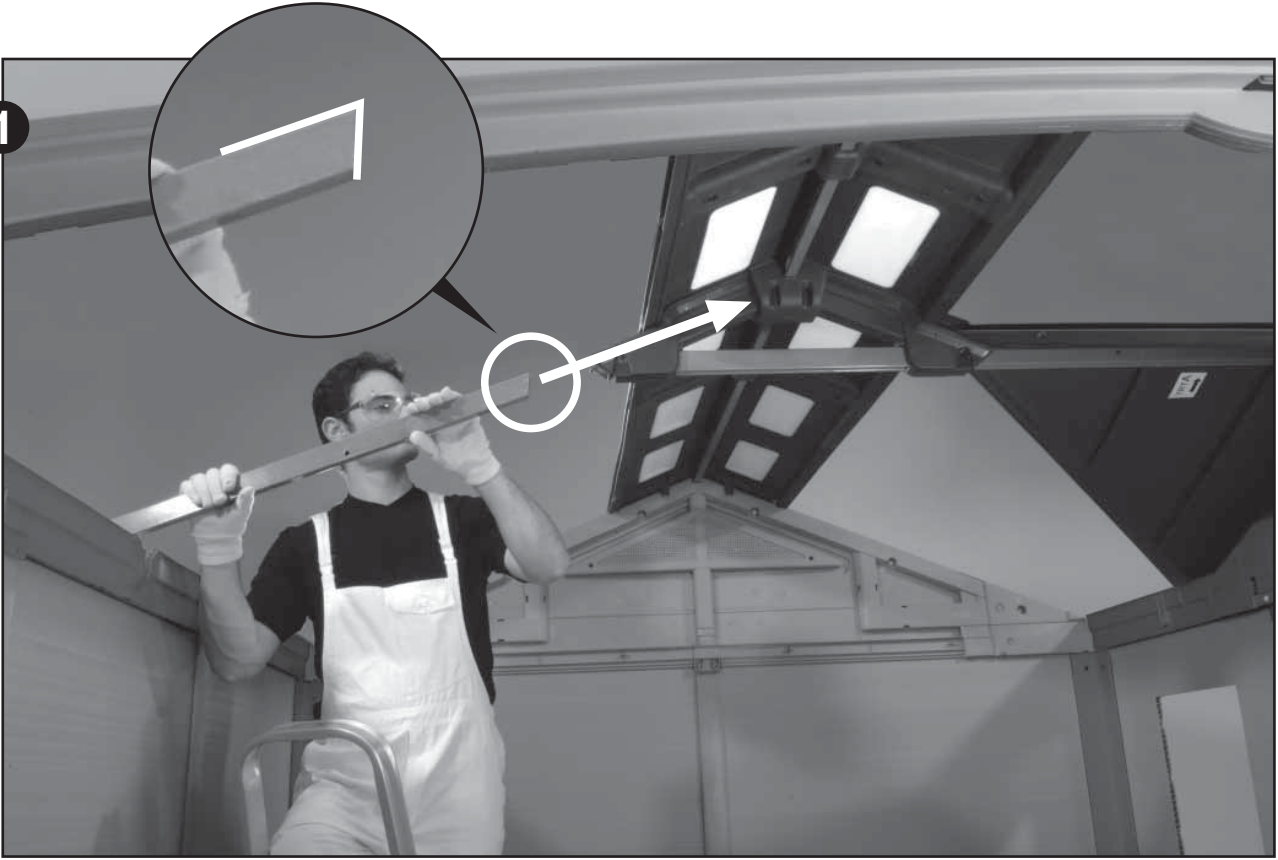




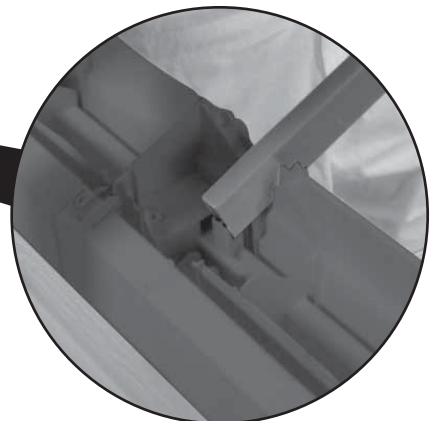
YM5(x1)



1



2

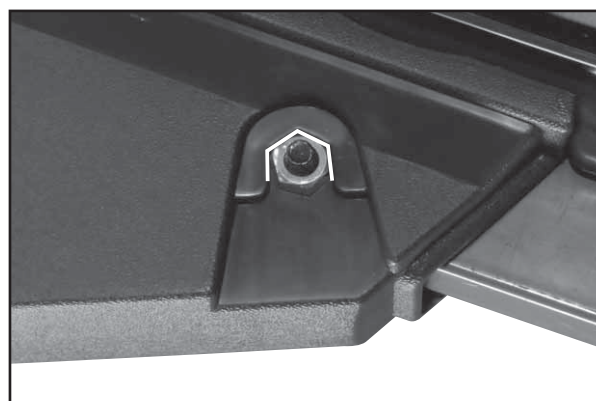
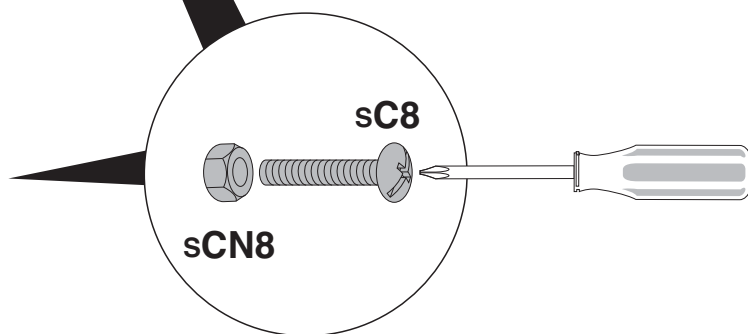
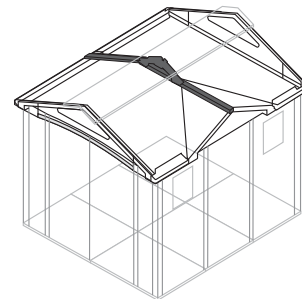


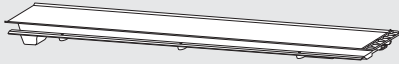


sC8(x2)



sCN8(x2)





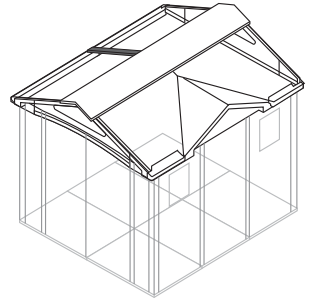
YSC(x1)



s42B(x1)



sC4(x1)



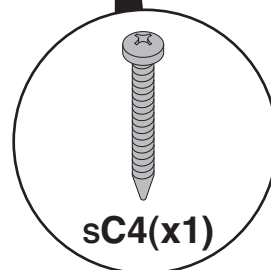
1



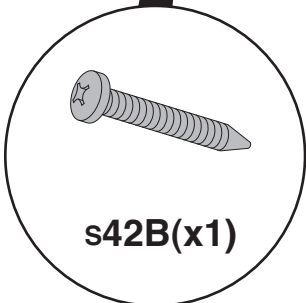
3



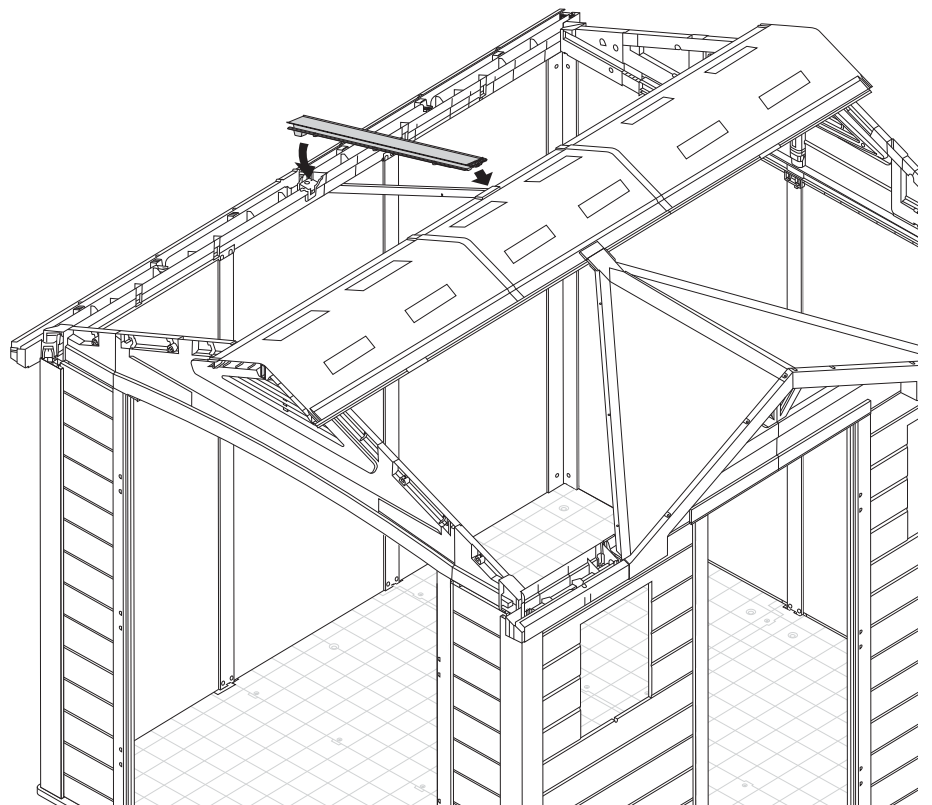
2

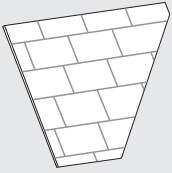


sC4(x1)

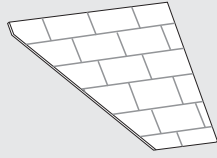


s42B(x1)

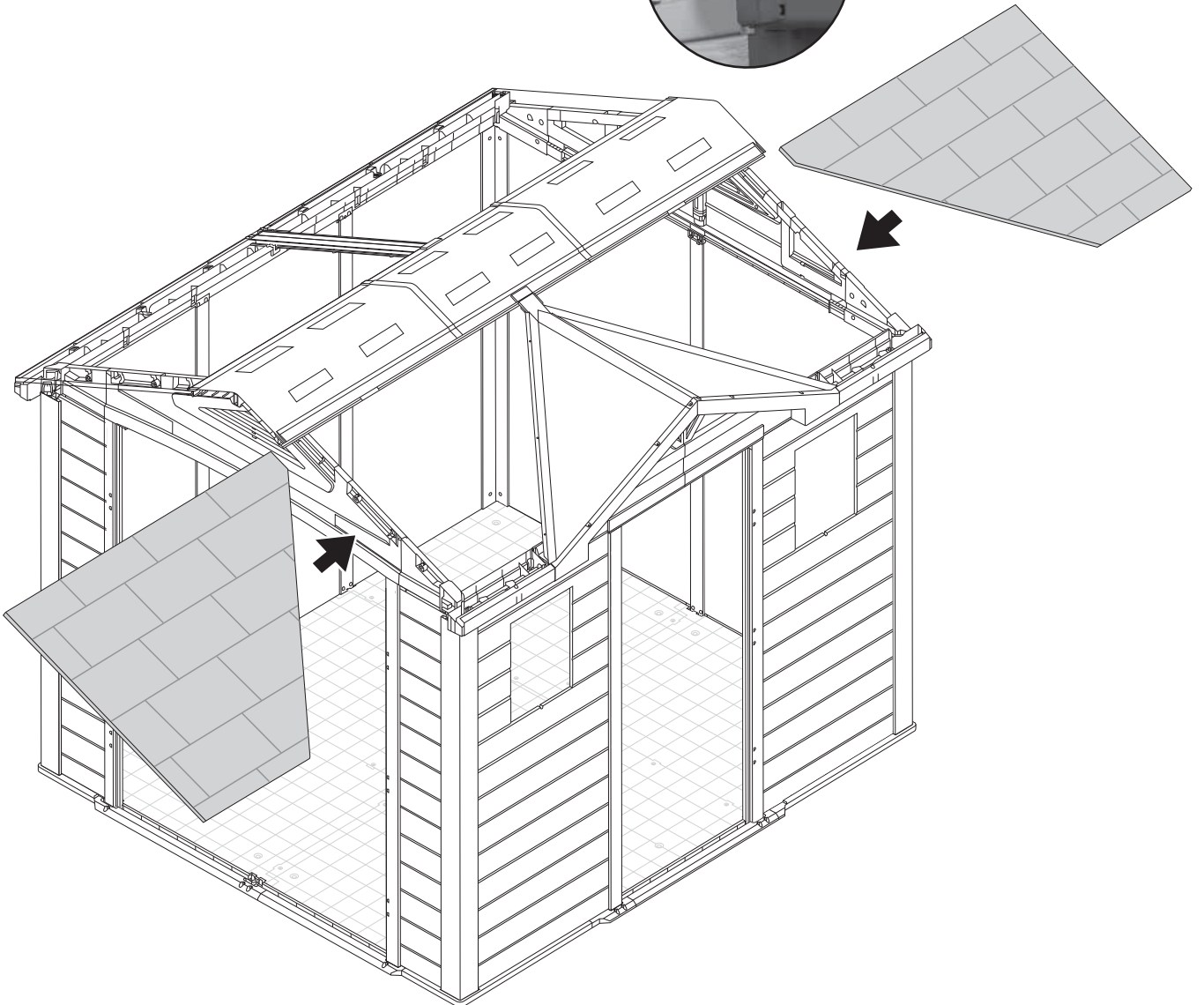
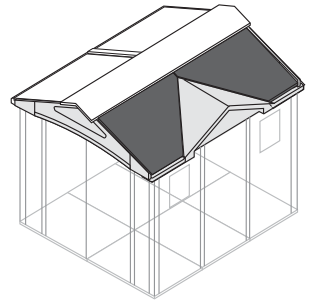


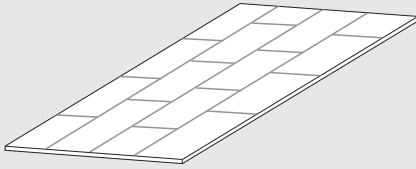


YST2(x1)

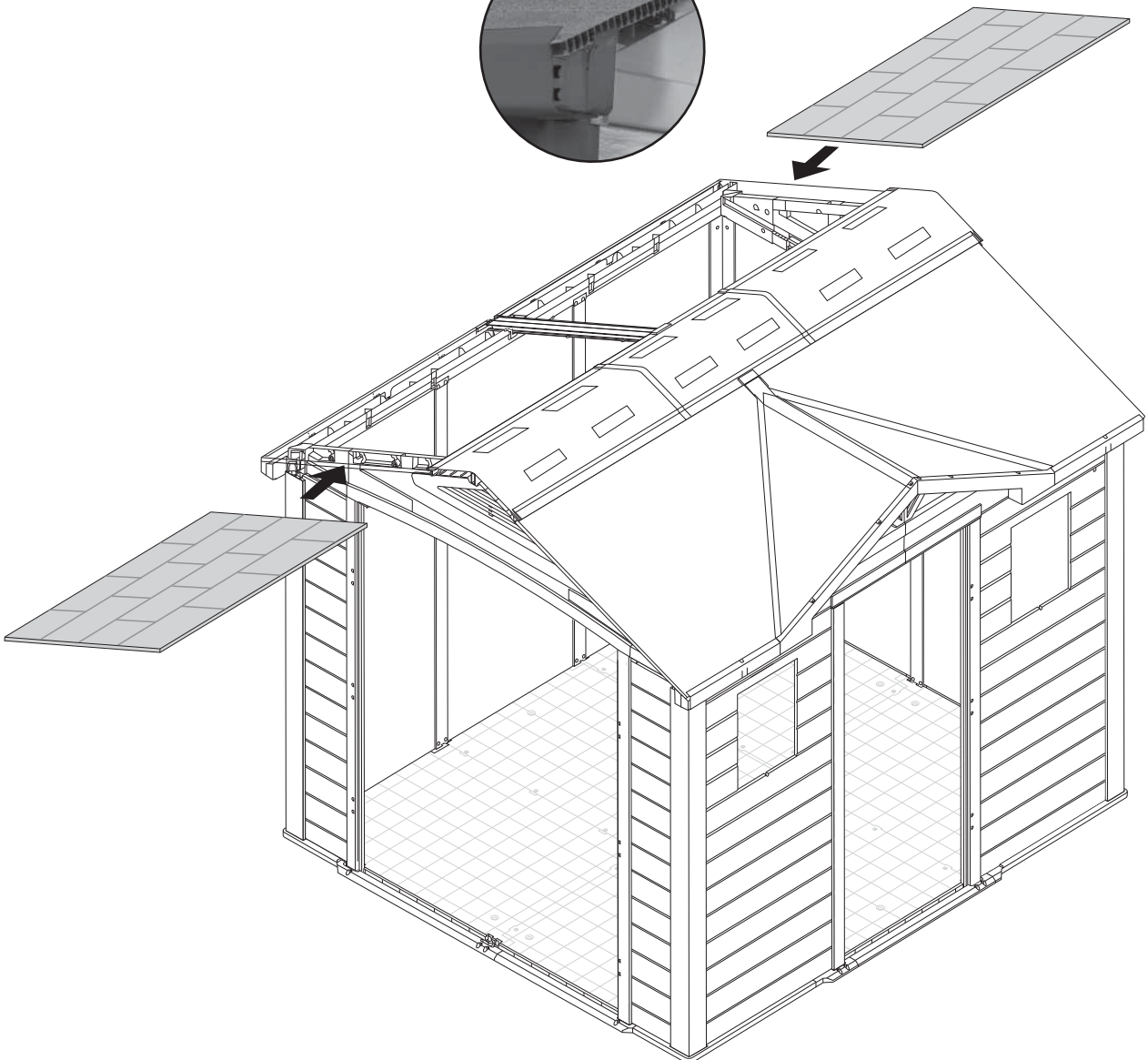
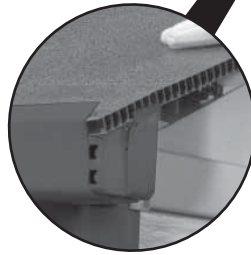
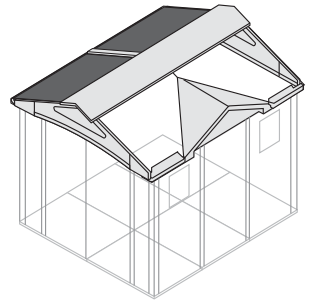


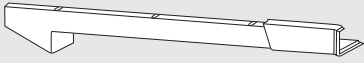
YST1(x1)





YSS(x2)

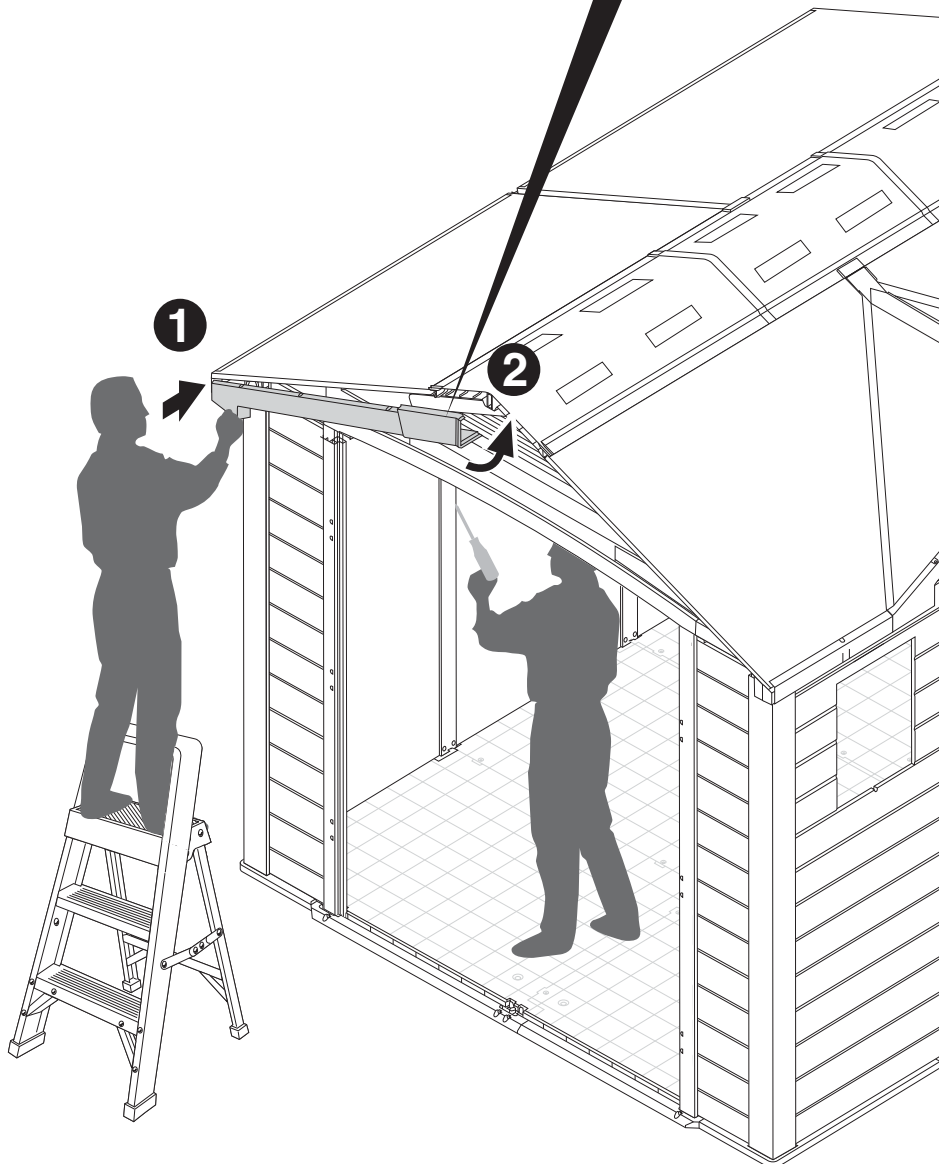
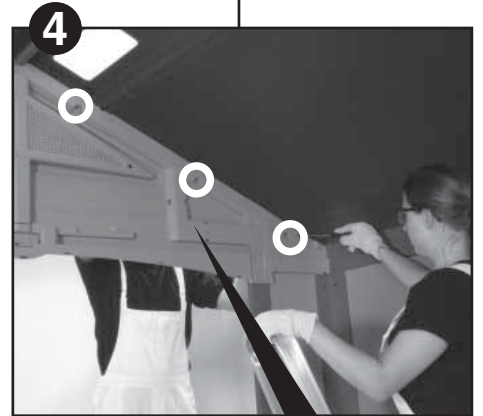
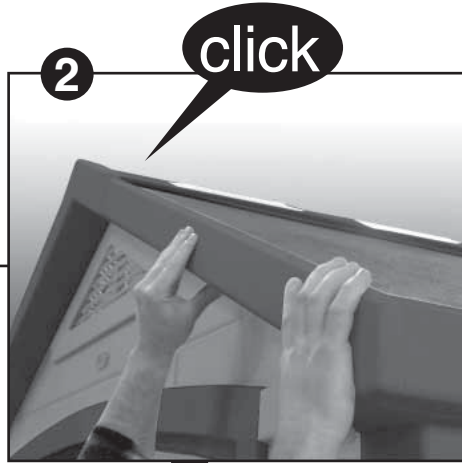
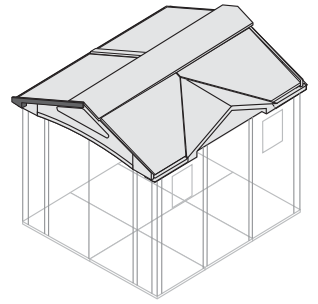


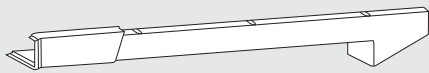


YTL1(x1)



SC15(x3)

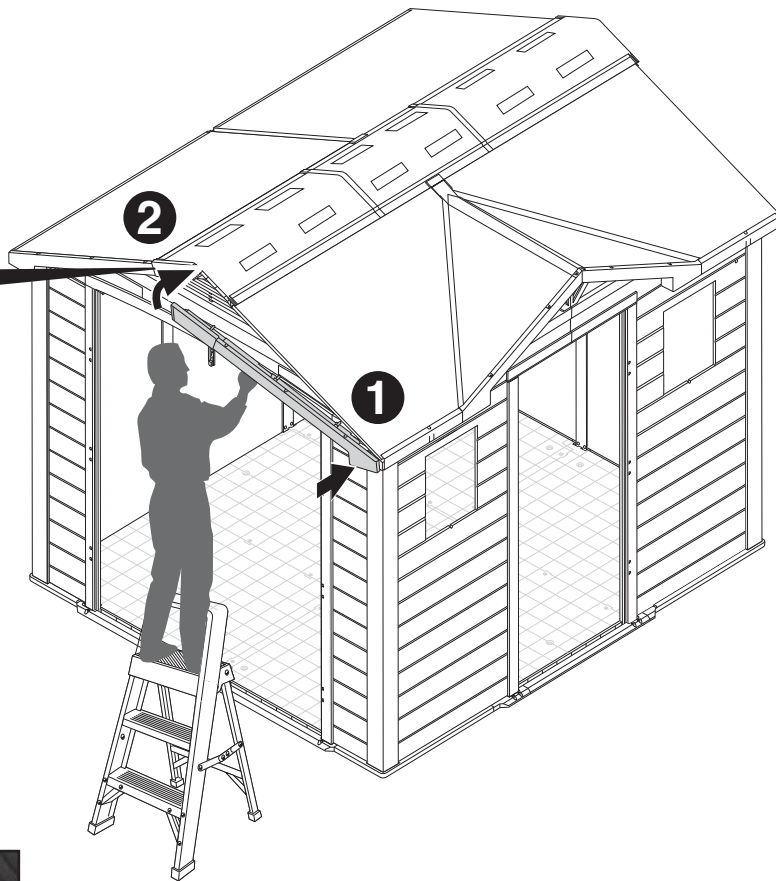
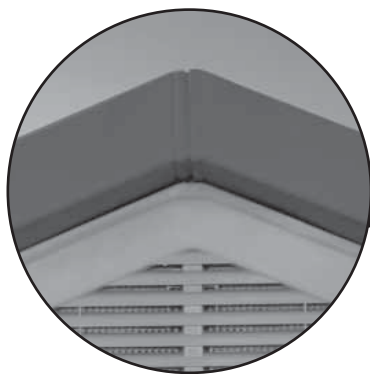
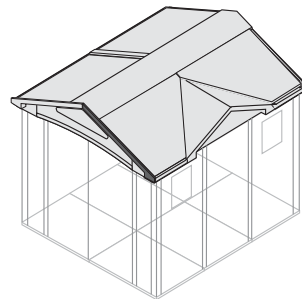




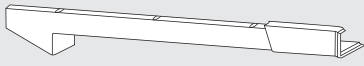
YTR1(x1)



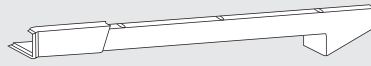
SC15(x3)



47



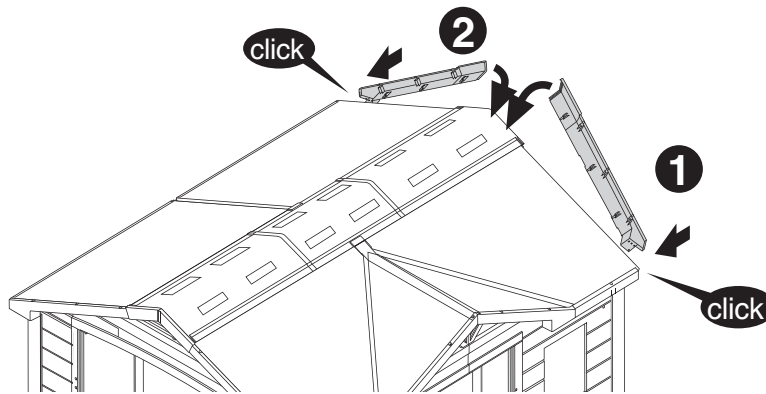
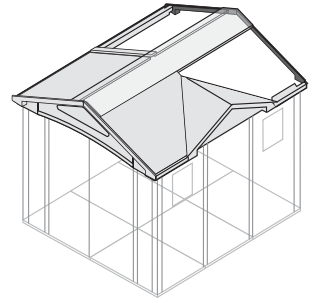
YTL1(x1)



YTR1(x1)



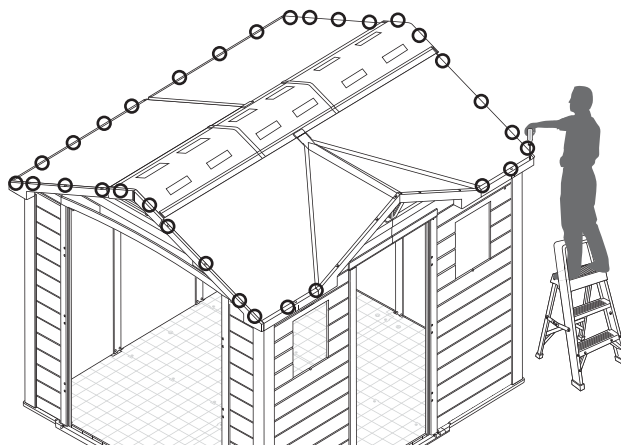
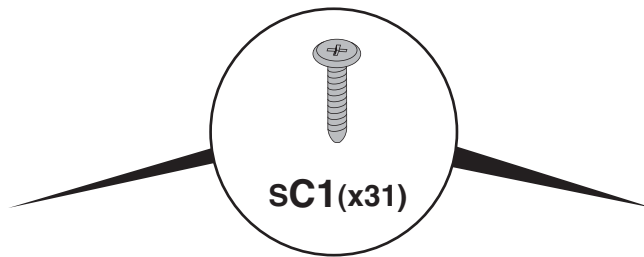
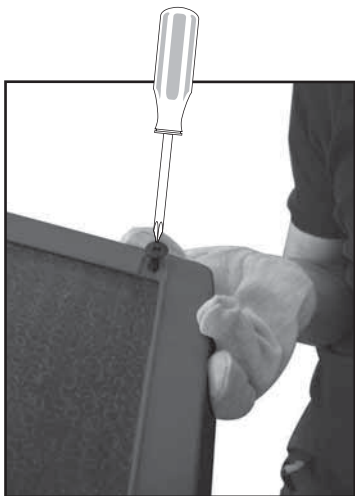
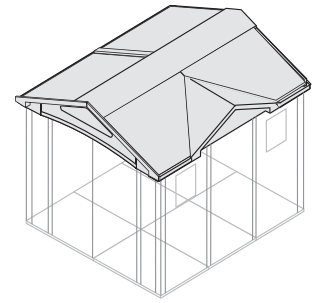
SC15(x6)

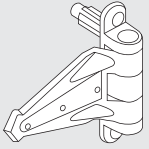


48

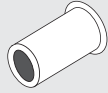


SC1(x31)





YH(x3)



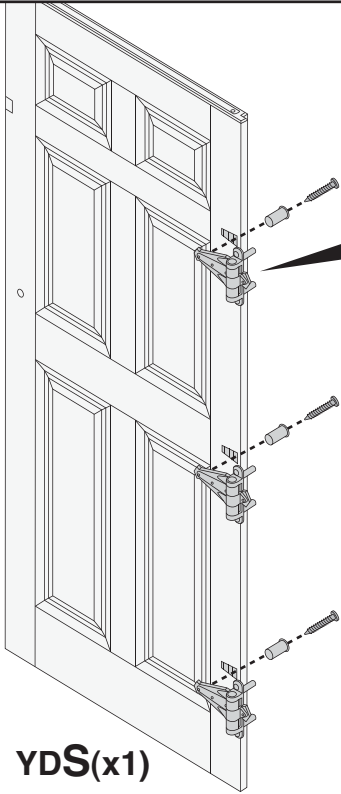
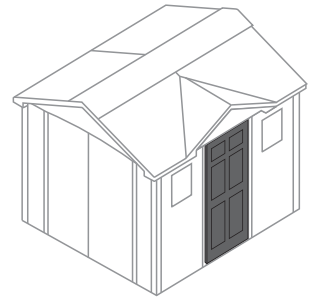
YHD(x3)



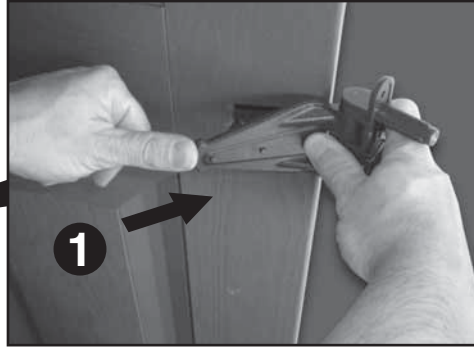
YHC(x6)



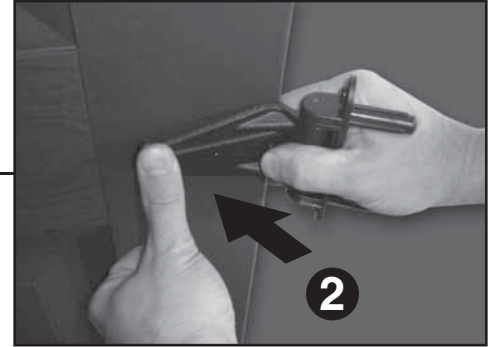
SC1(x9)



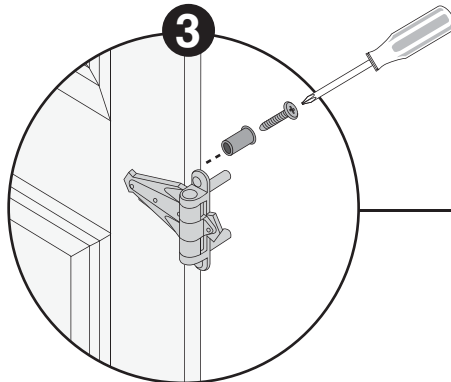
YDS(x1)



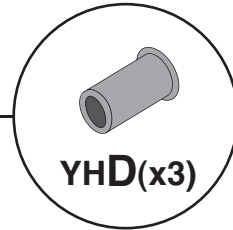
1



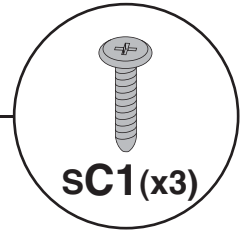
2



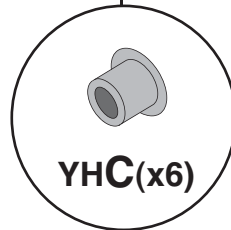
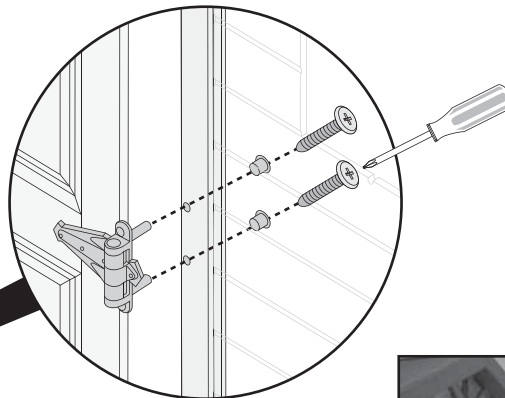
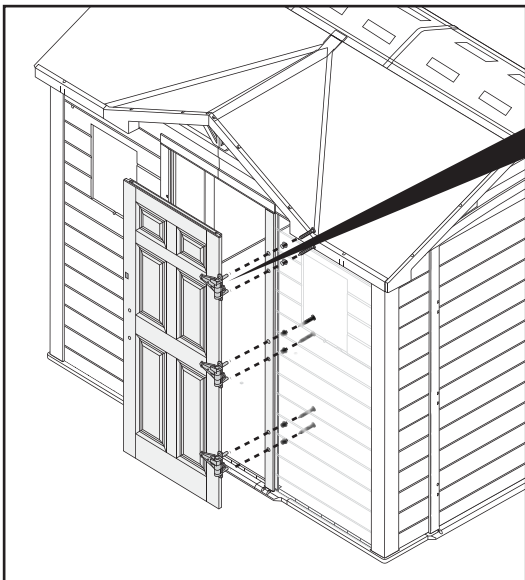
3



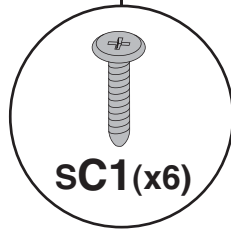
YHD(x3)



SC1(x3)

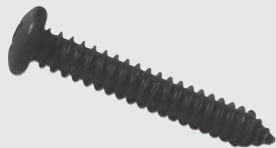
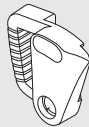


YHC(x6)



SC1(x6)





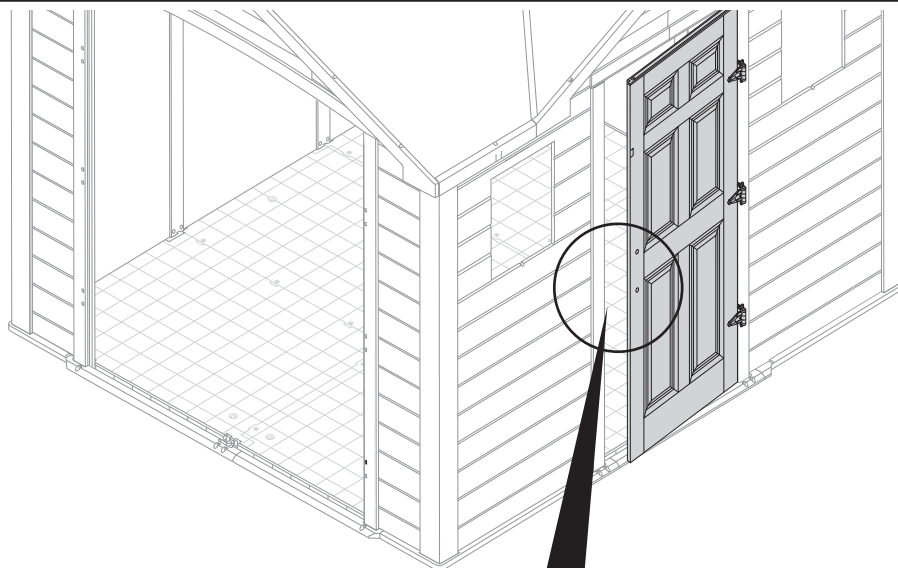
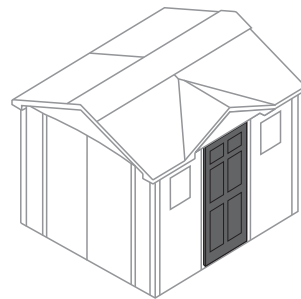
YHH(x1) YHI(x1)

S42B(x3)

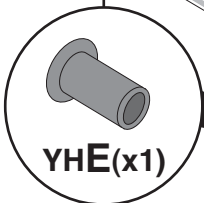
YHE(x1)

YHF(x1)

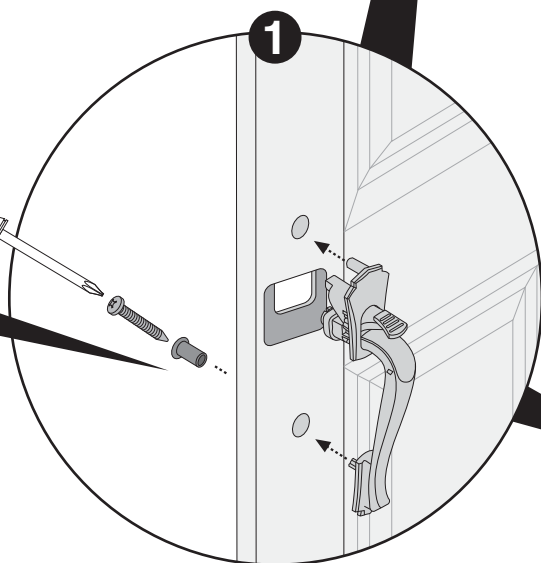
YHG(x1)



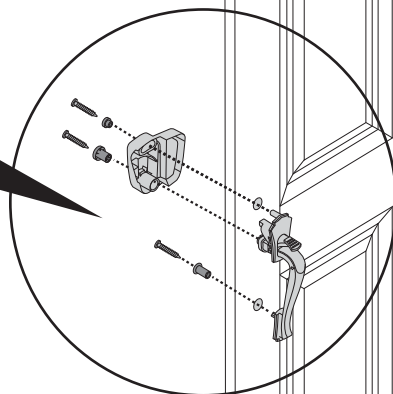
S42B(x1)



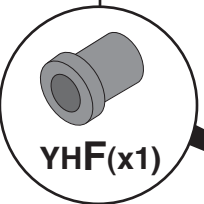
YHE(x1)



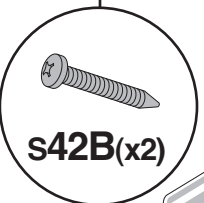
1



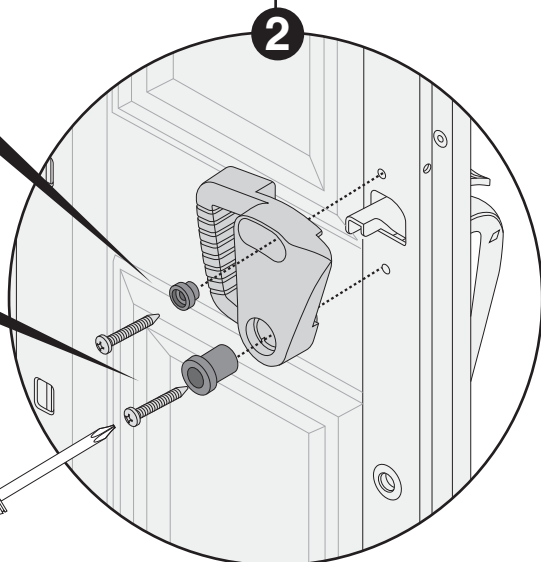
YHG(x1)



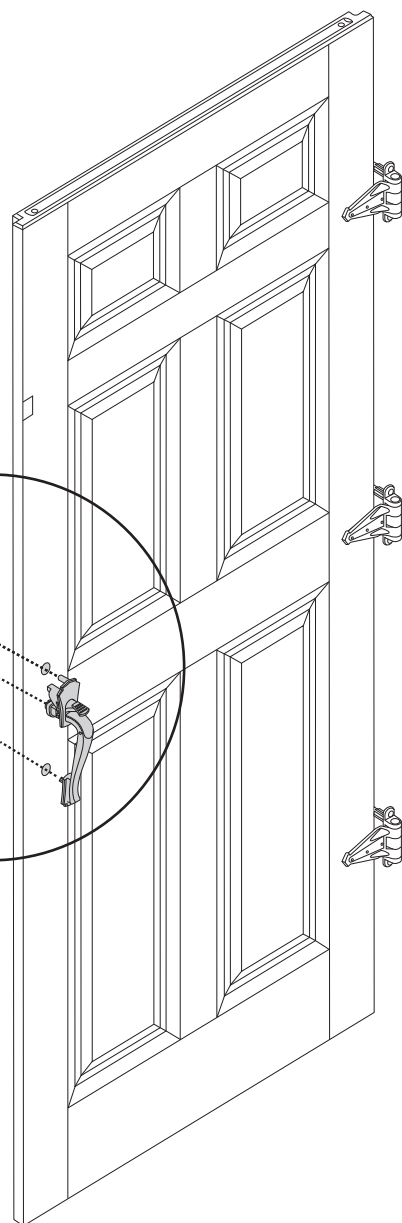
YHF(x1)



S42B(x2)



2





YHC(x2)



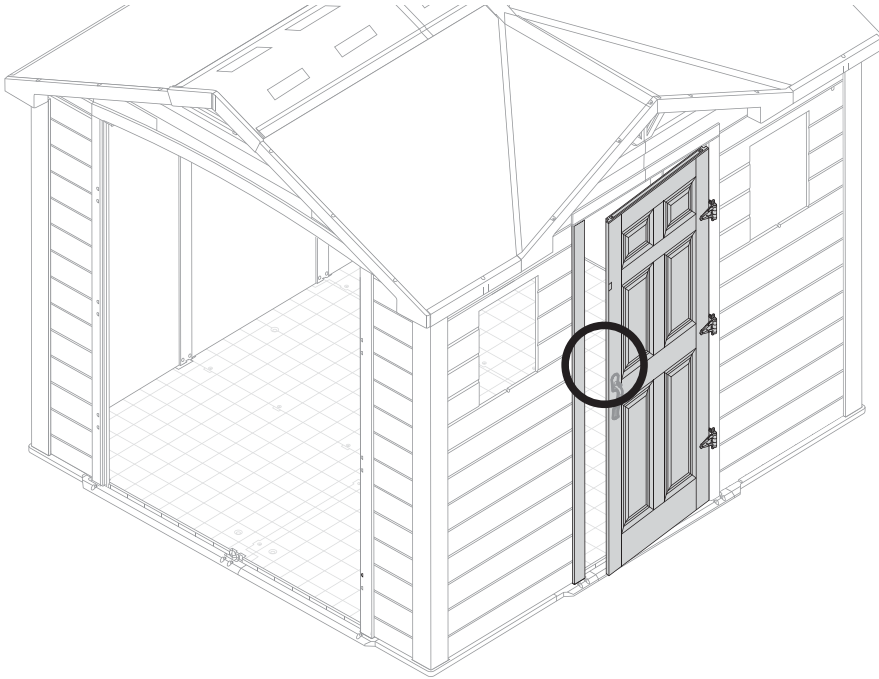
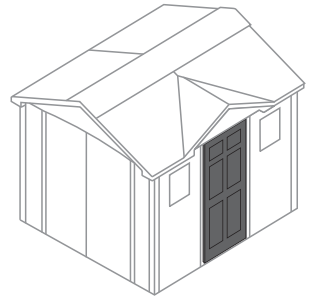
YHSL(x2)



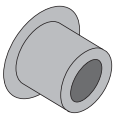
SC1(x2)



S45B(x2)

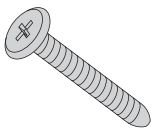


1

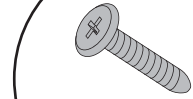


YHC(x2)

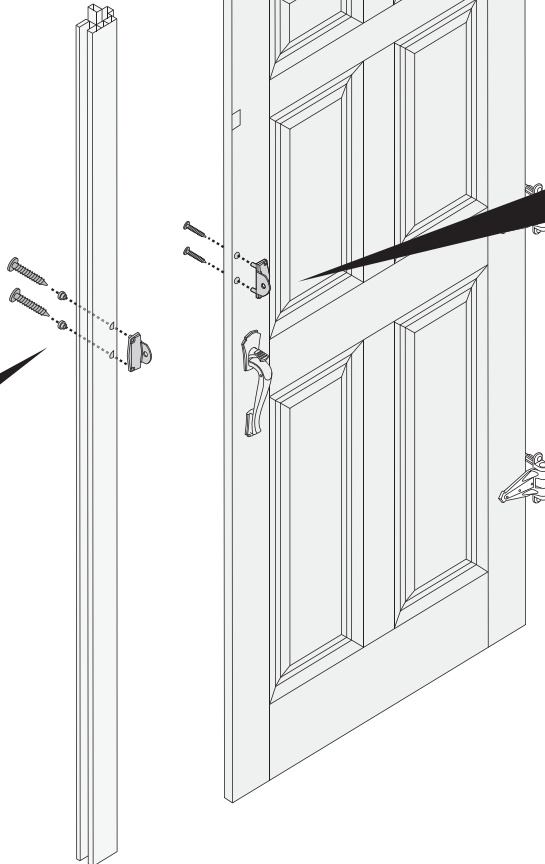
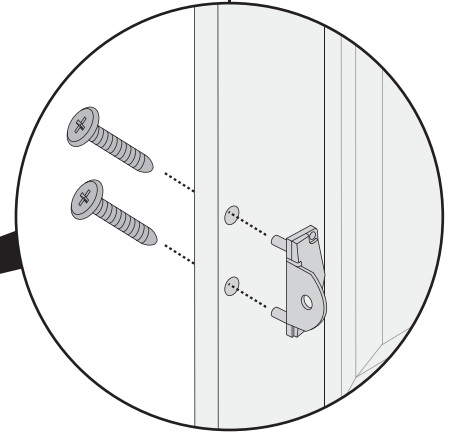
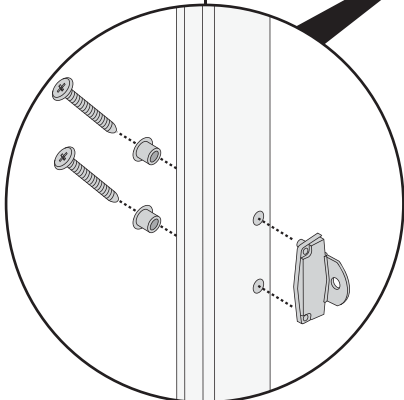
2

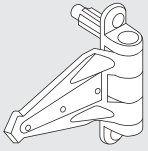


S45B(x2)



SC1(x2)





YH(x6)



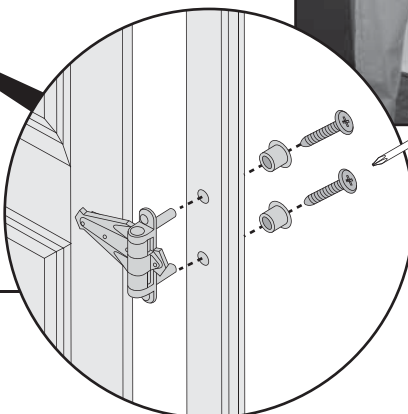
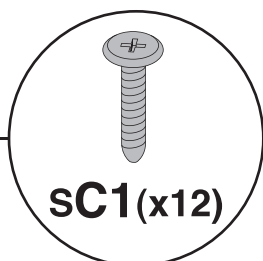
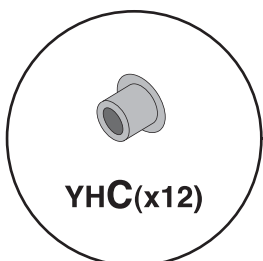
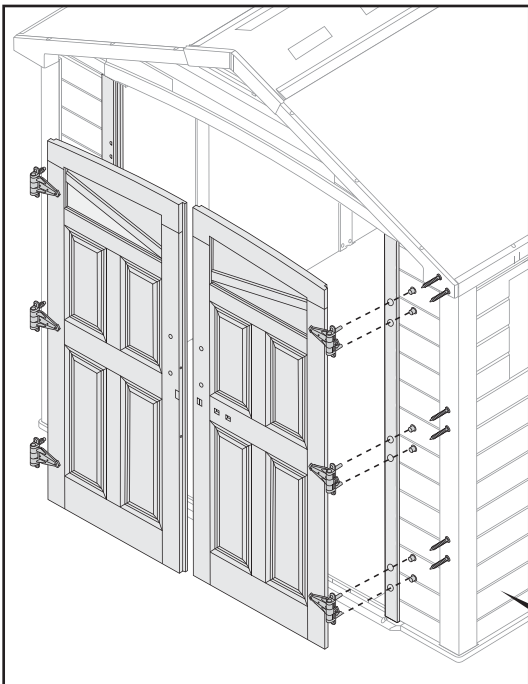
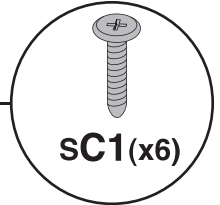
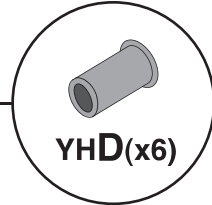
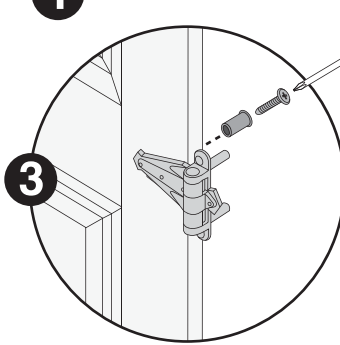
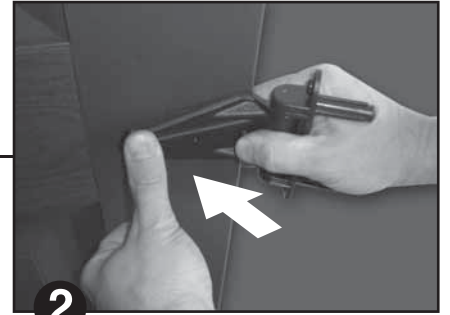
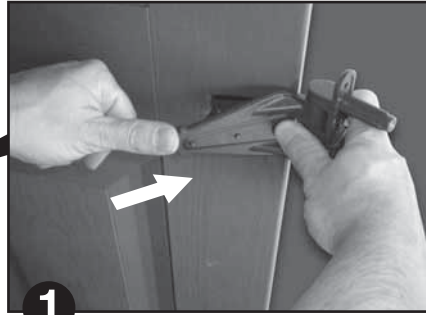
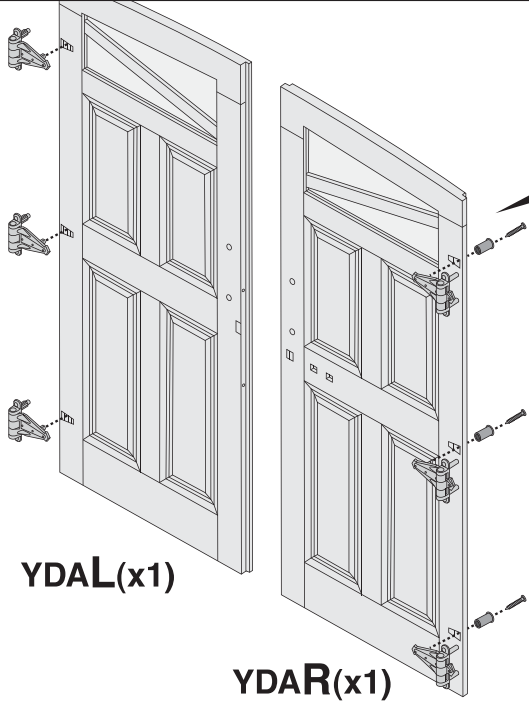
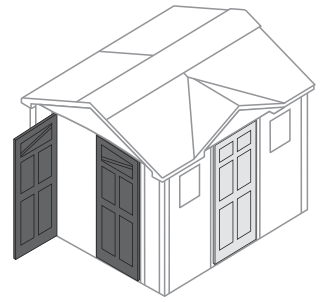
YHD(x6)



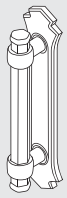
YHC(x12)



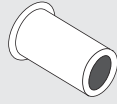
SC1(x18)



53



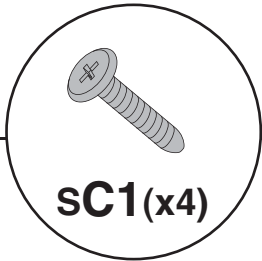
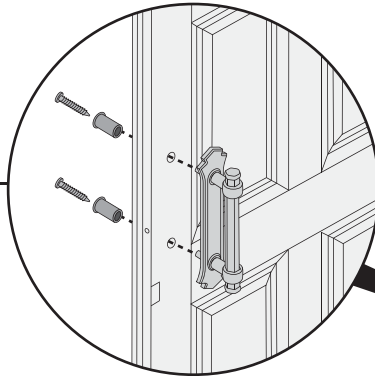
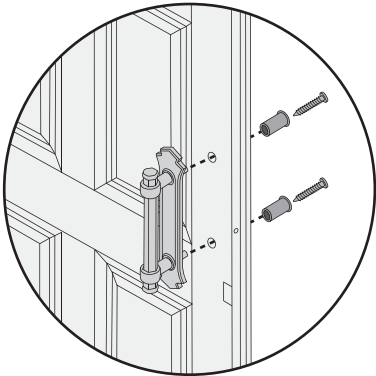
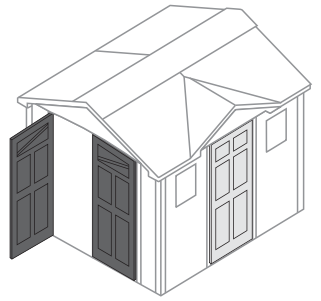
YHS(x2)



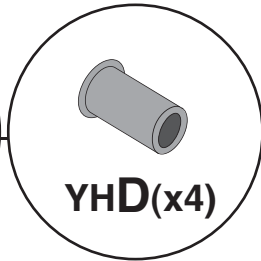
YHD(x4)



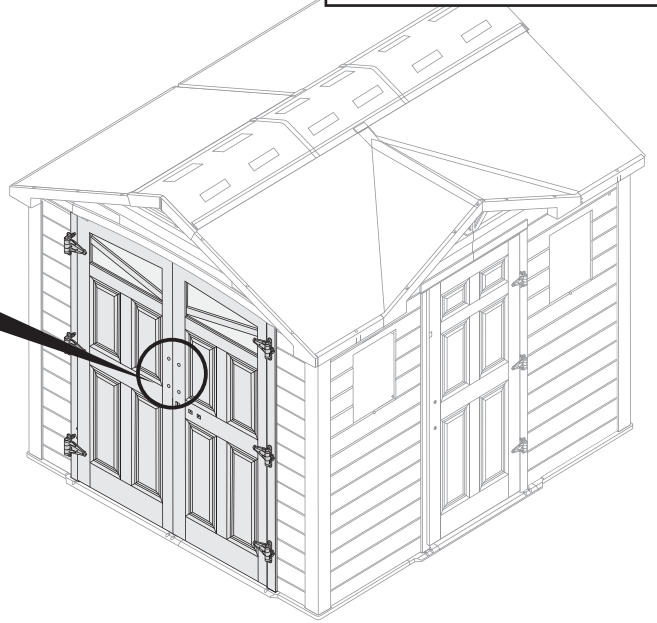
SC1(x4)



SC1(x4)



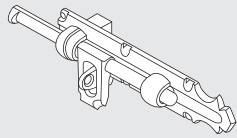
YHD(x4)



54



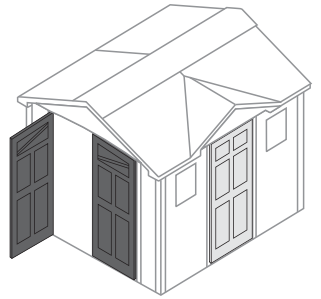
YHLL(x1)



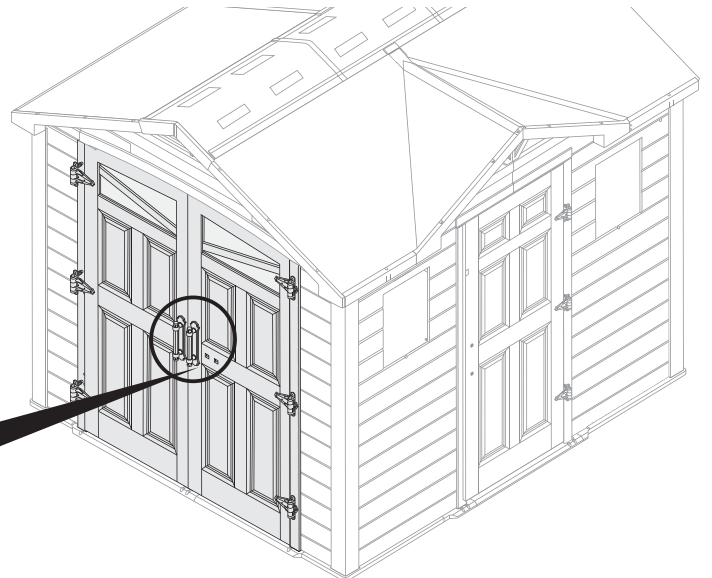
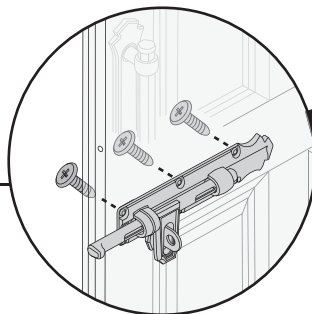
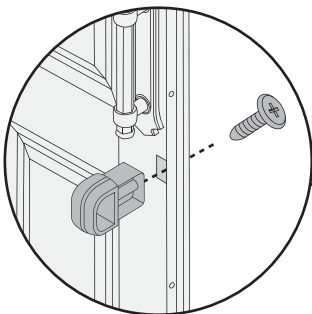
YHLB(x1)



SC15(x4)



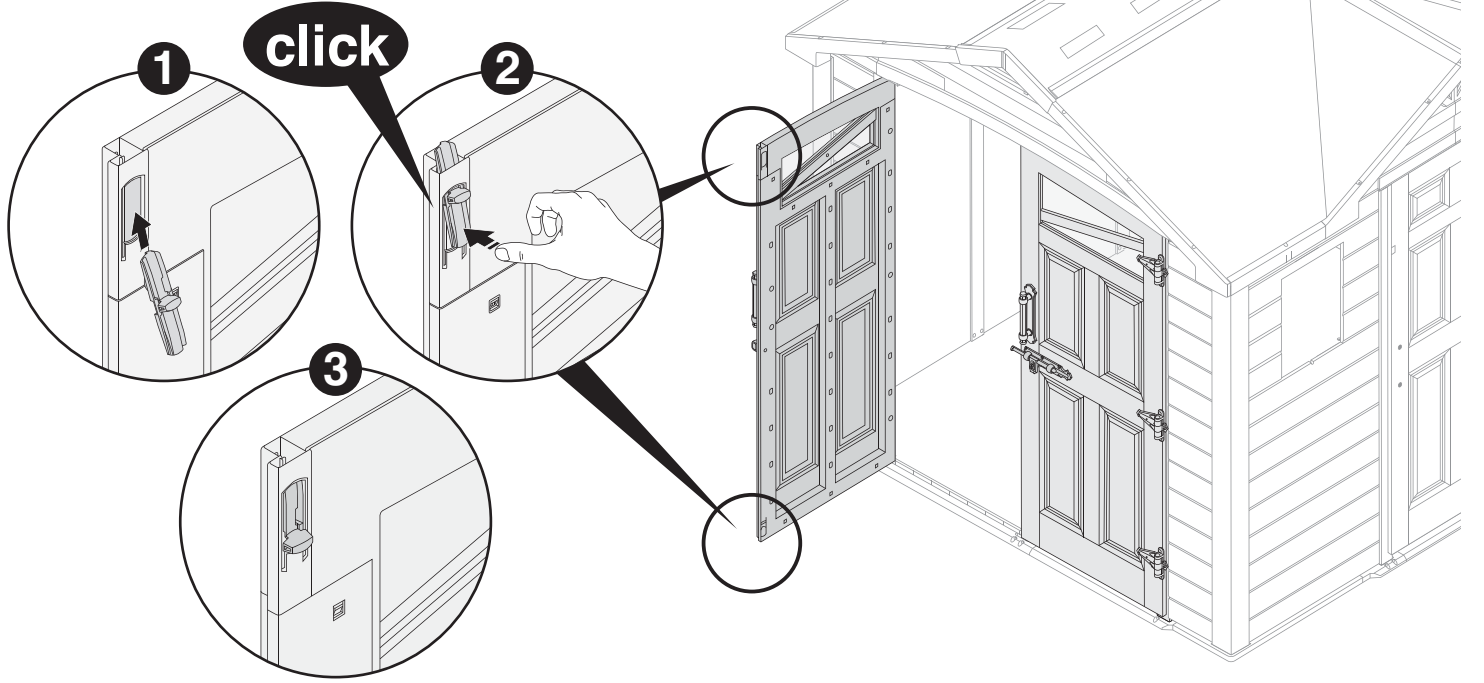
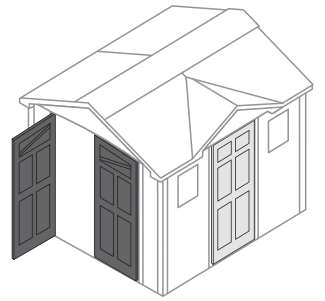
SC15(x4)



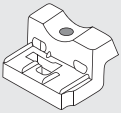
55



YHV(x2)



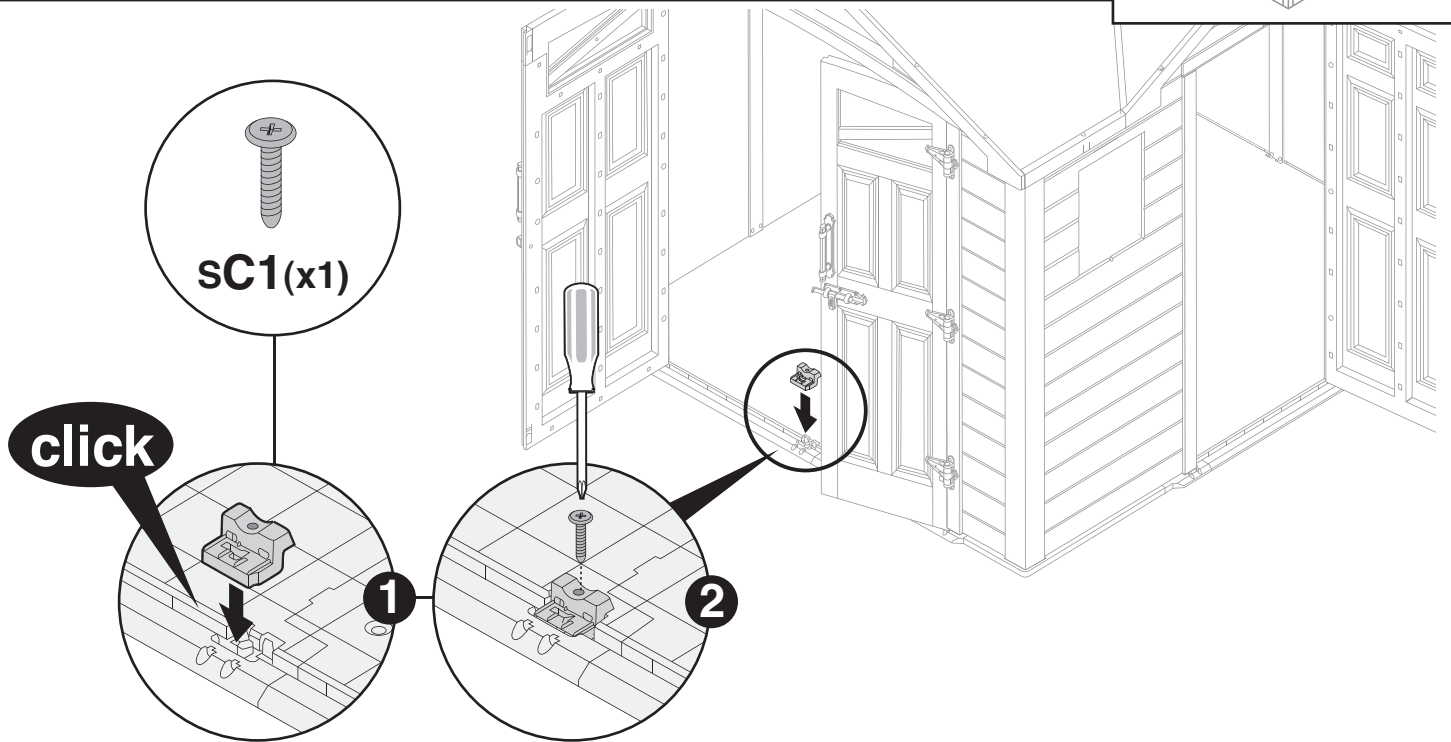
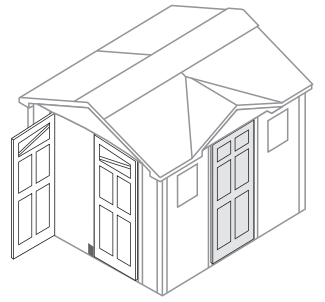
56



YDP(x1)



SC1(x1)

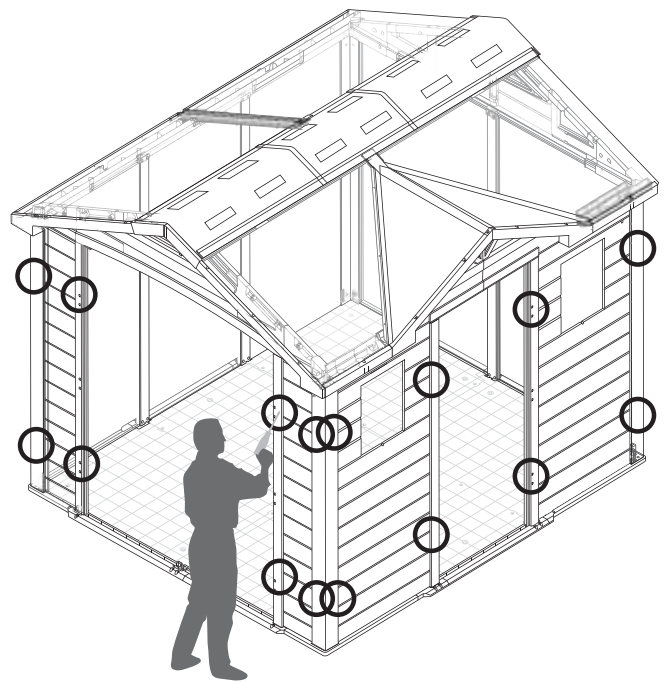
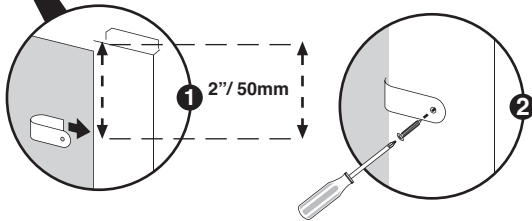
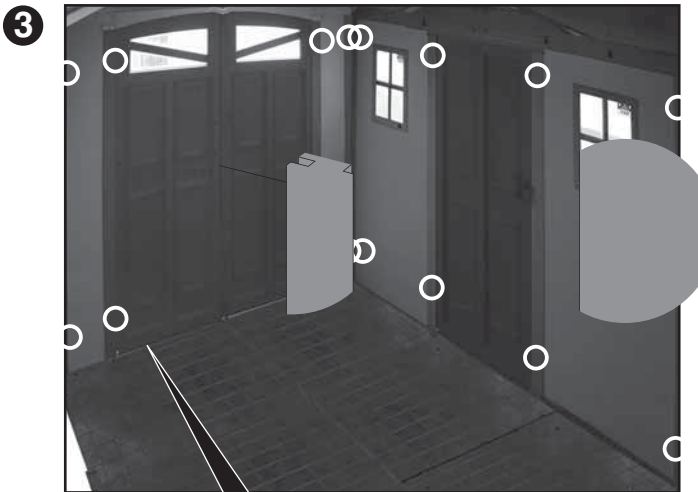
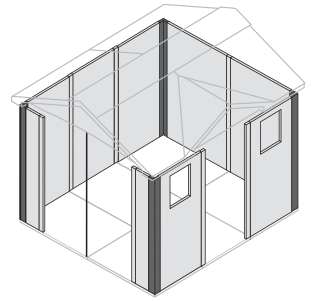




YM32(x16)



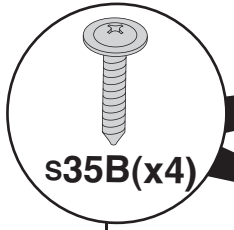
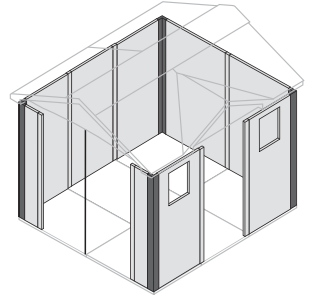
s32B(x16)



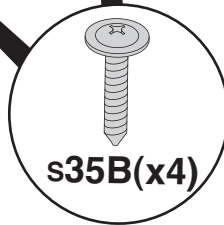
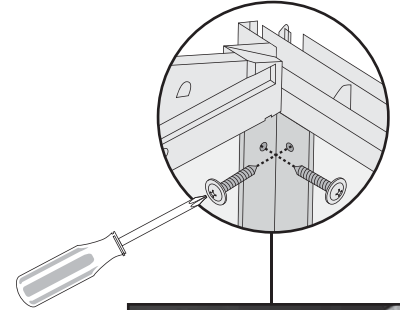
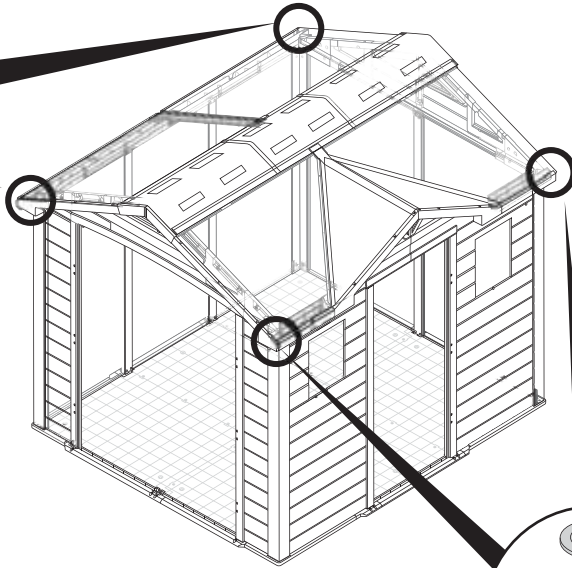
58



s35B(x8)



s35B(x4)

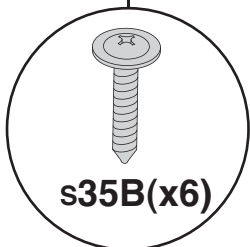
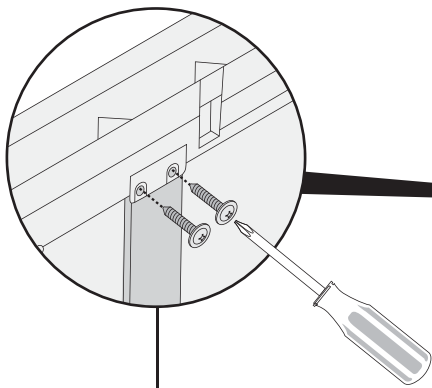
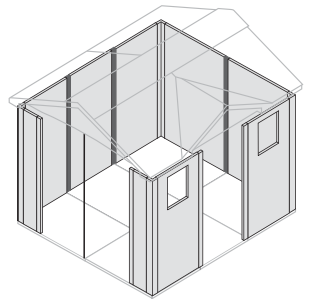


s35B(x4)

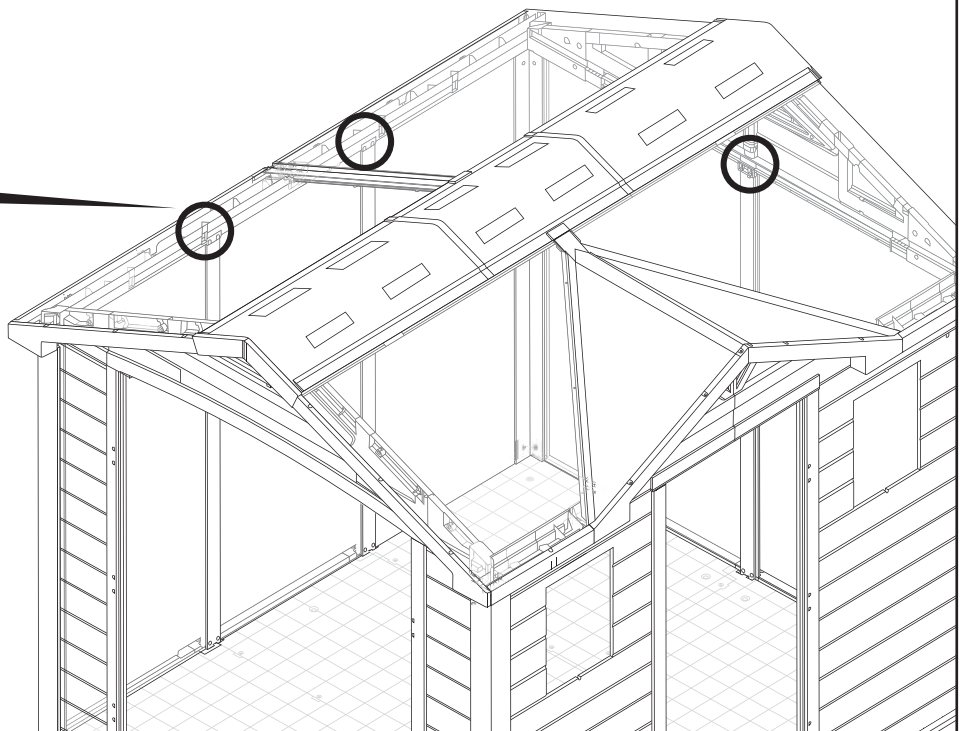
59



s35B(x6)

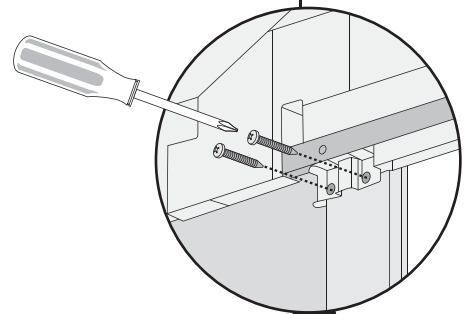
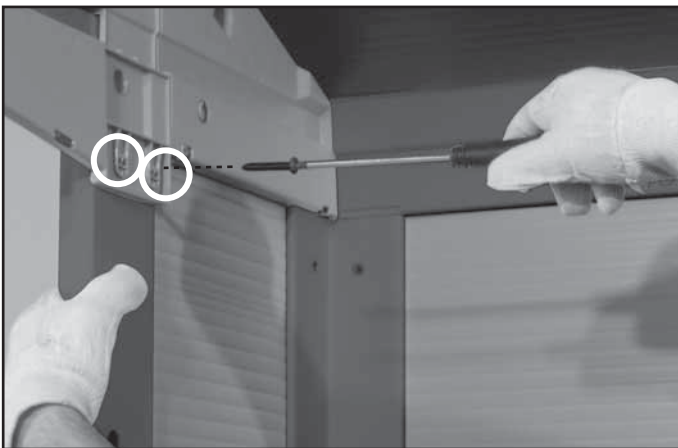
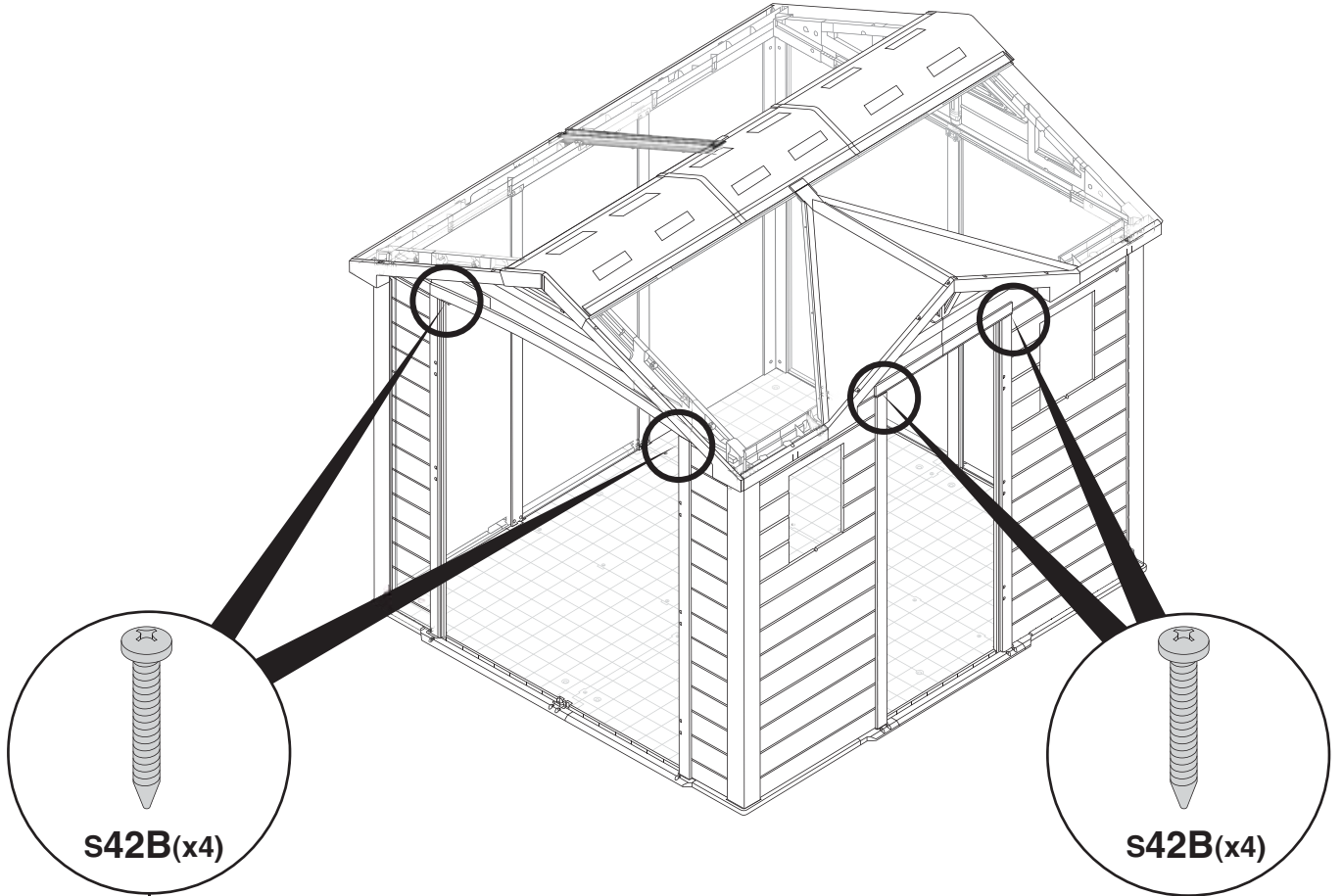
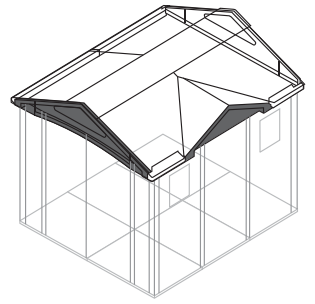


s35B(x6)





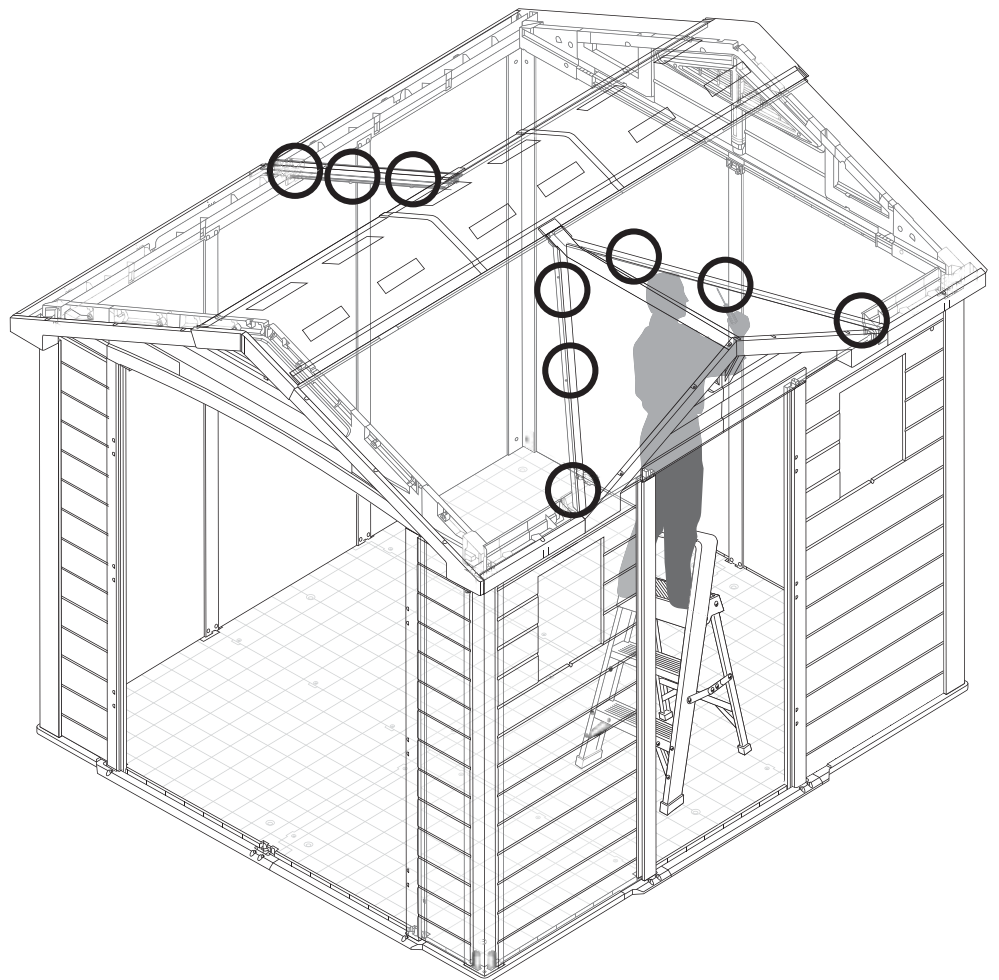
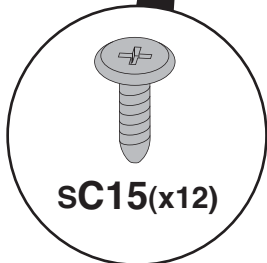
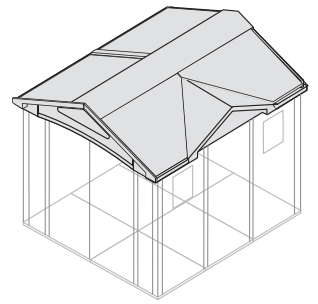
s42B(x8)



61



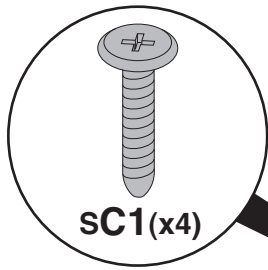
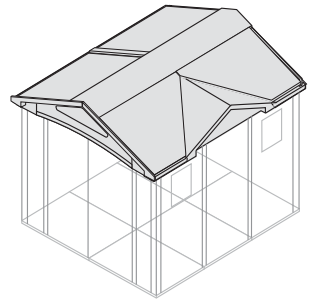
SC15(x12)



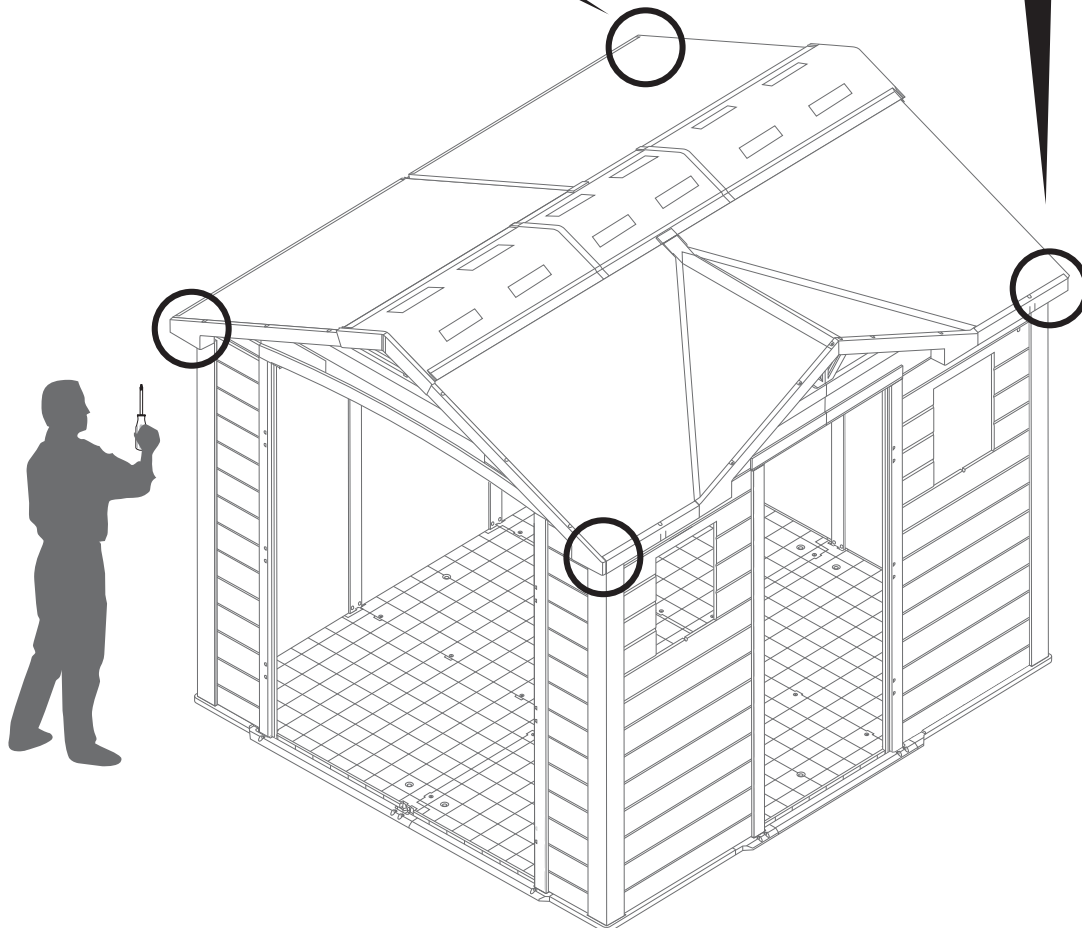
62



SC1(x4)

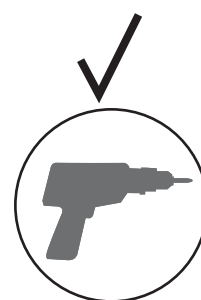
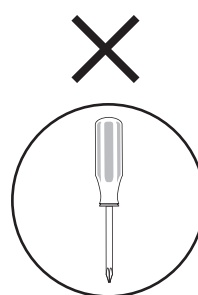
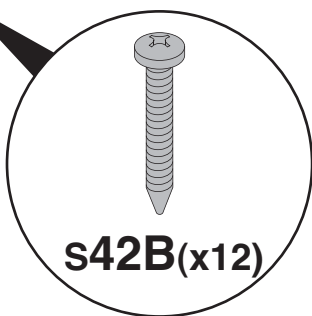
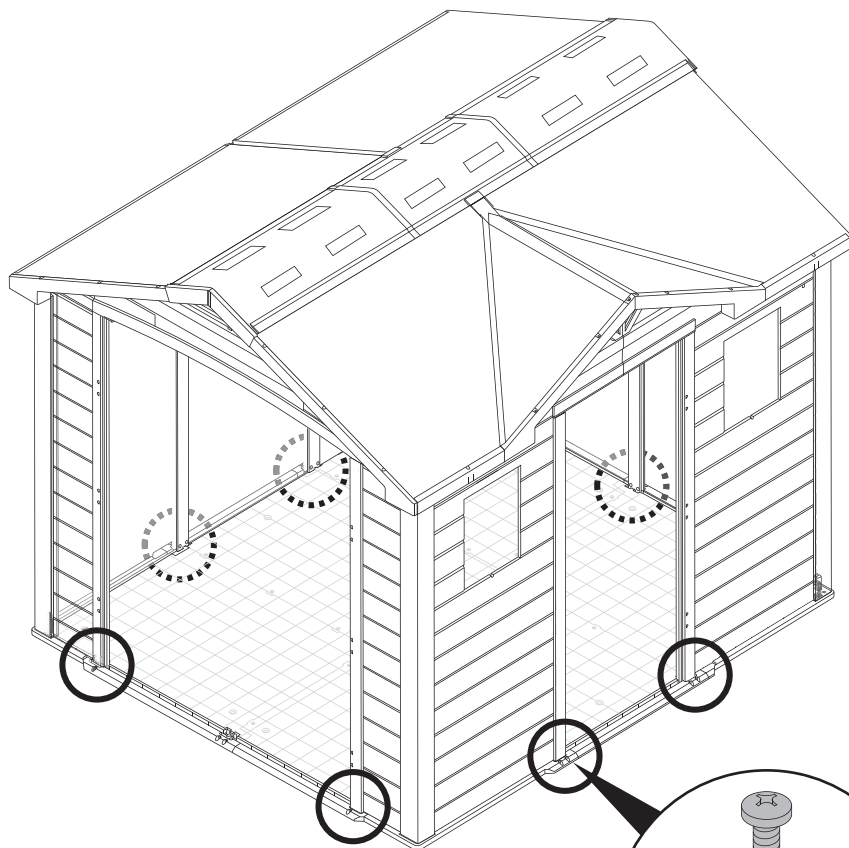
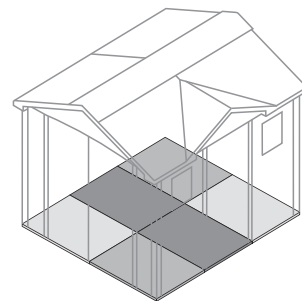


SC1(x4)

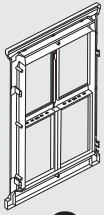




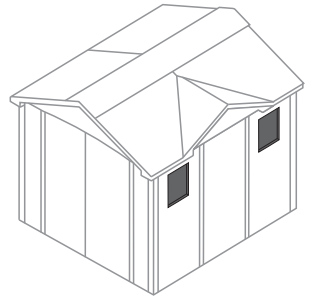
s42B(x12)



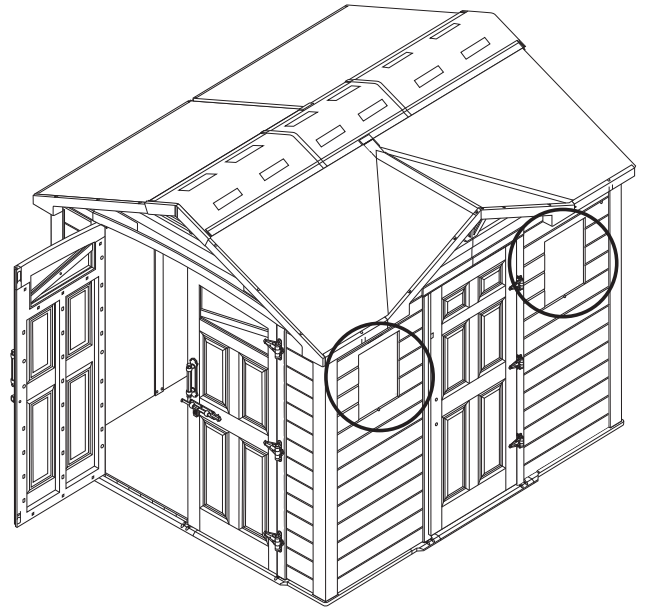
64

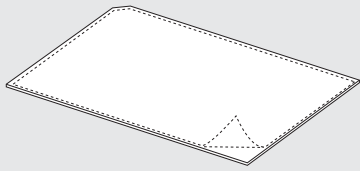


FWO(x1)

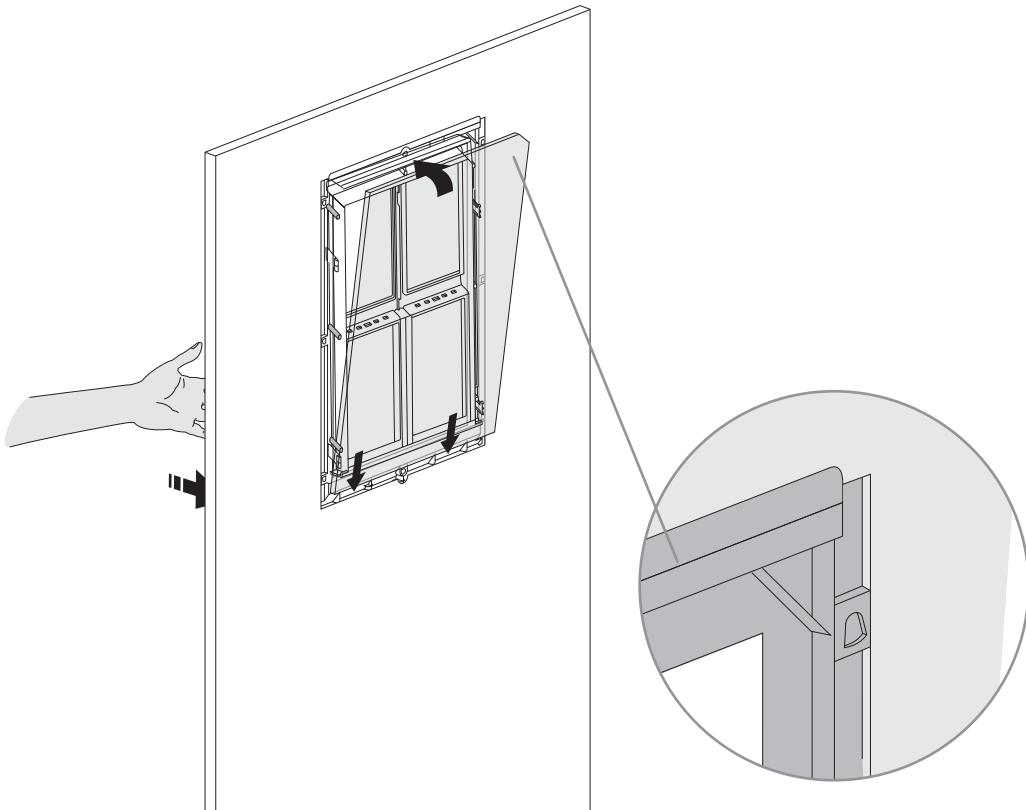
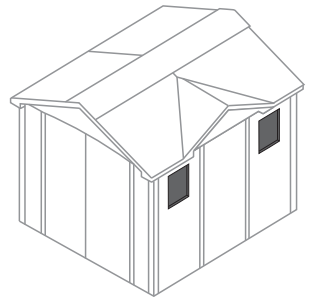


64-66





FWT(x1)



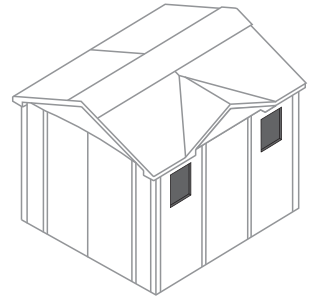
66



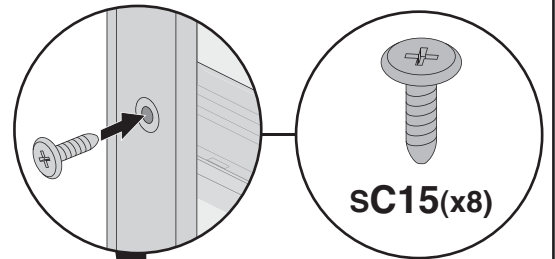
SC15(x8)



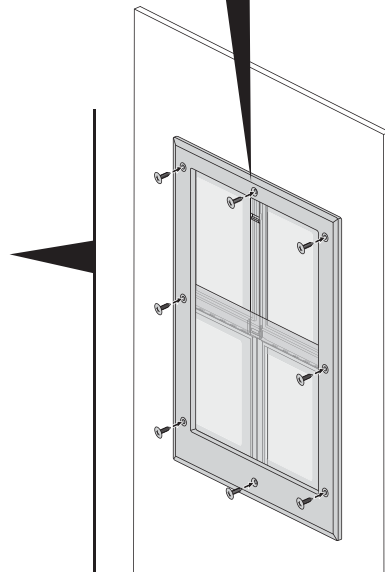
YWl(x1)



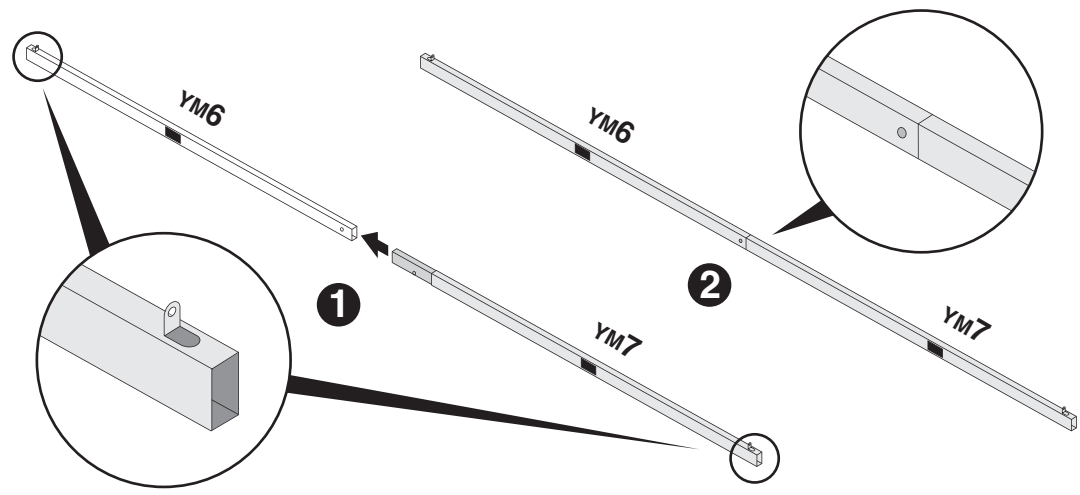
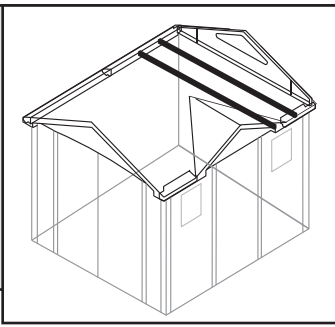
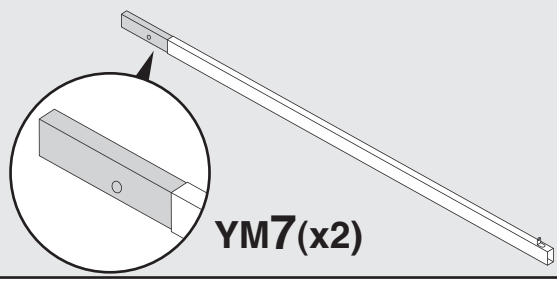
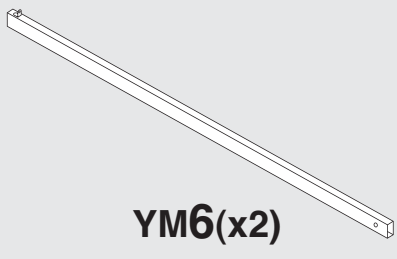
1



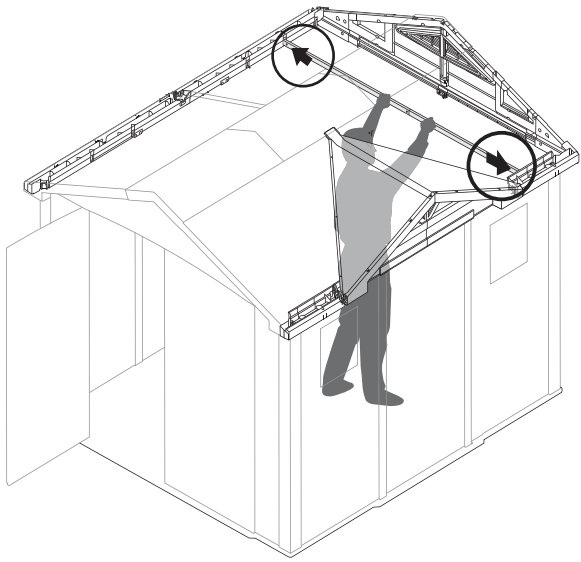
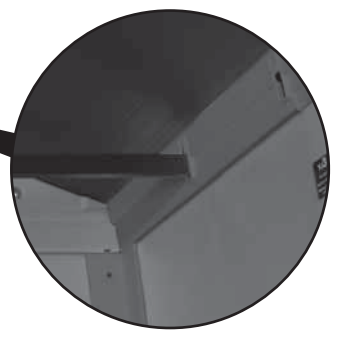
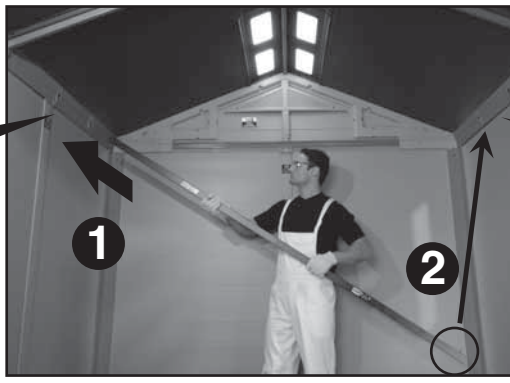
2



67



68





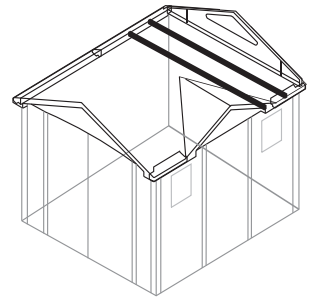
S27B(x1)



SCN8(x1)



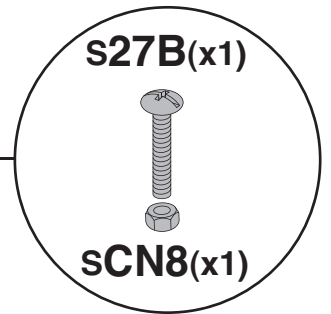
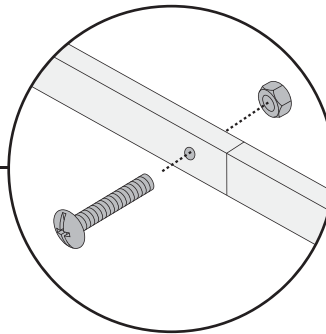
SC15(x2)



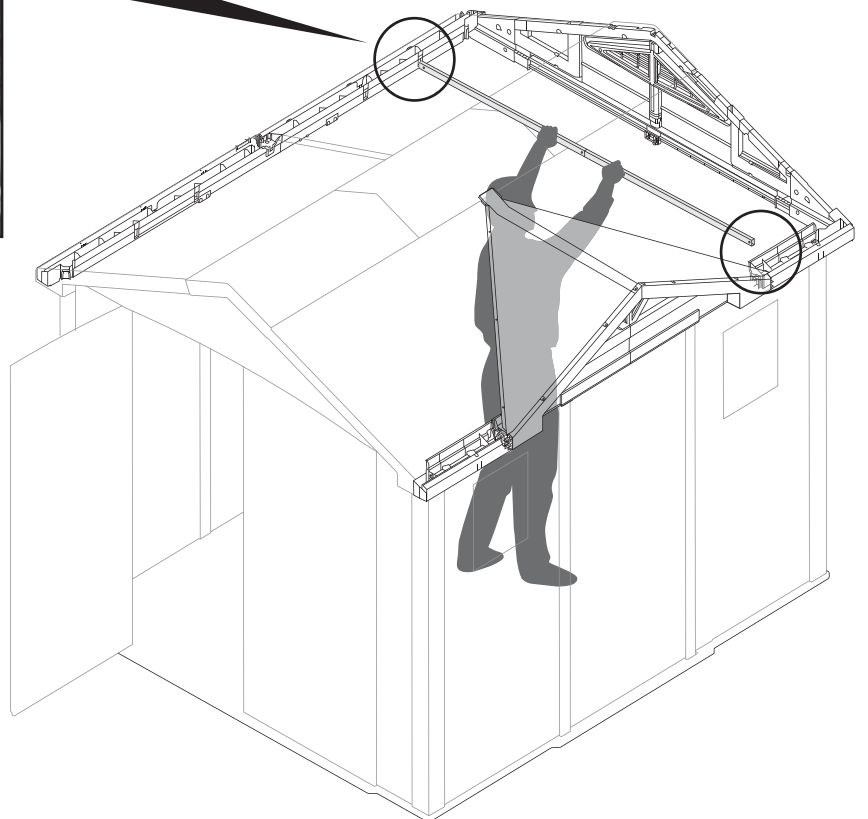
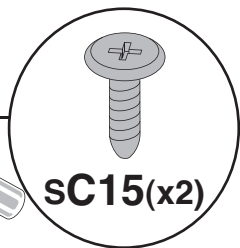
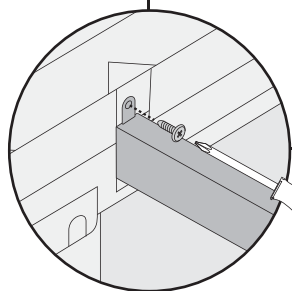
1



2



3



70



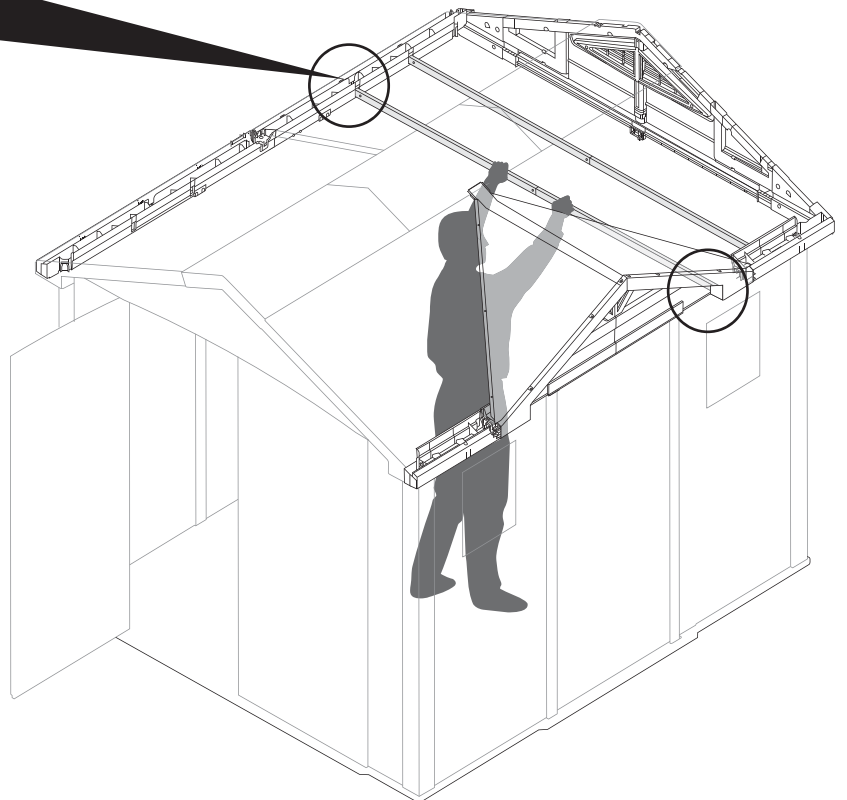
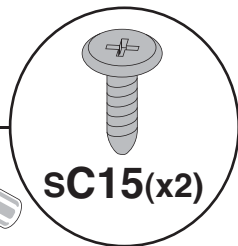
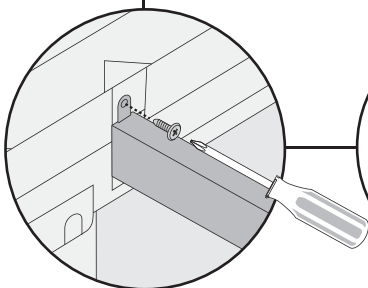
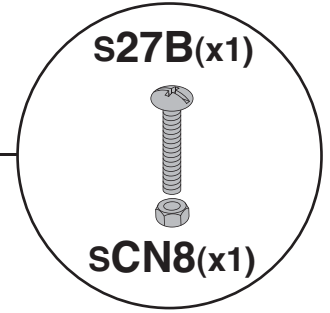
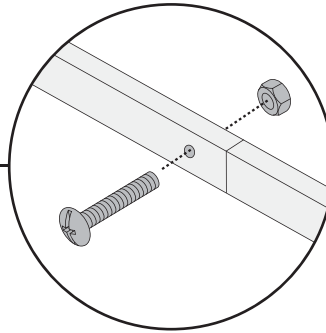
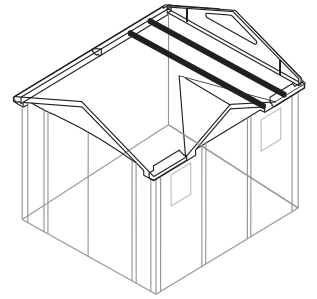
s27B(x1)



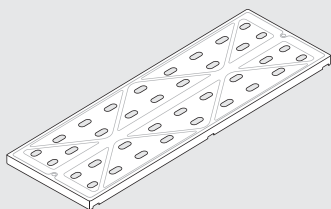
sCN8(x1)



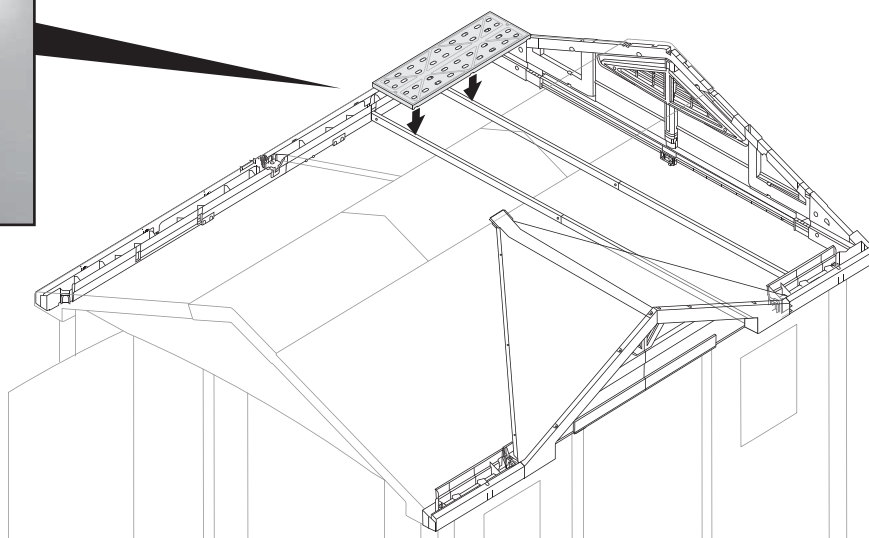
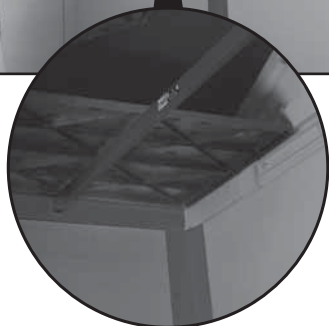
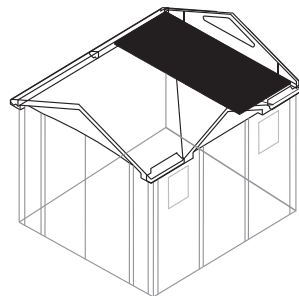
sC15(x2)



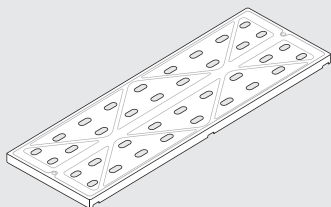
71



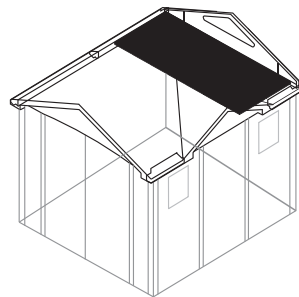
YSF(x1)



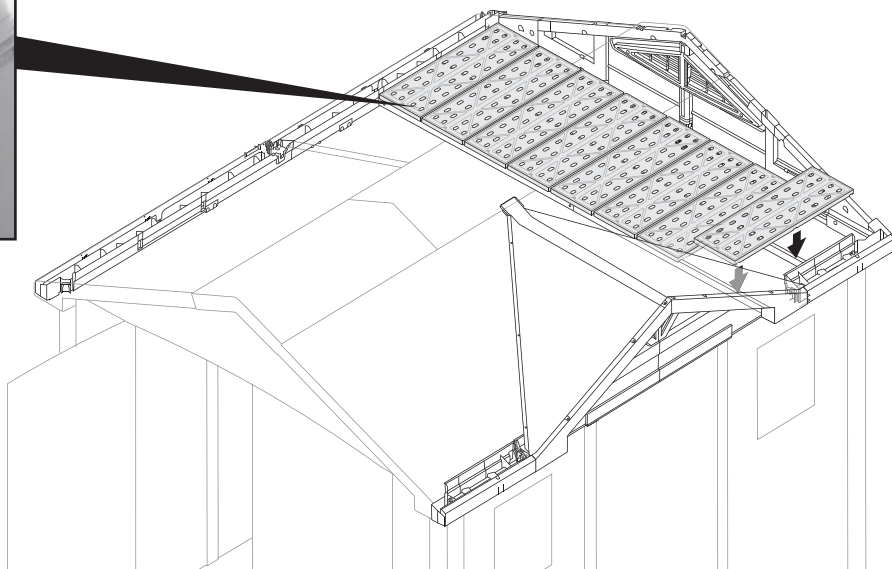
72



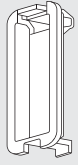
YSF(x7)



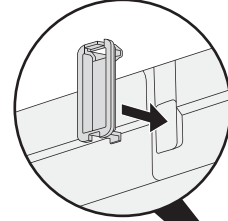
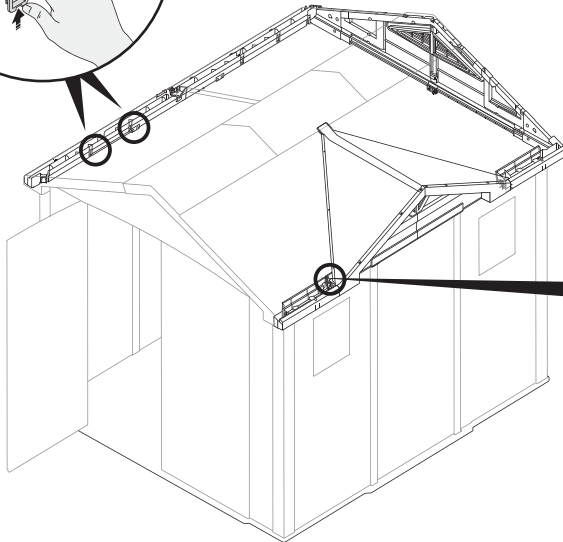
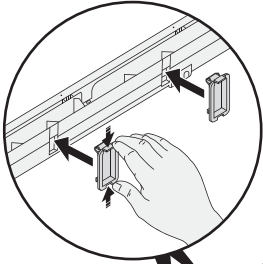
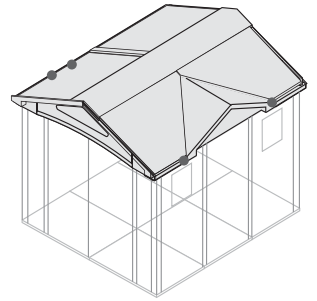
120



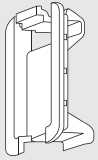
73



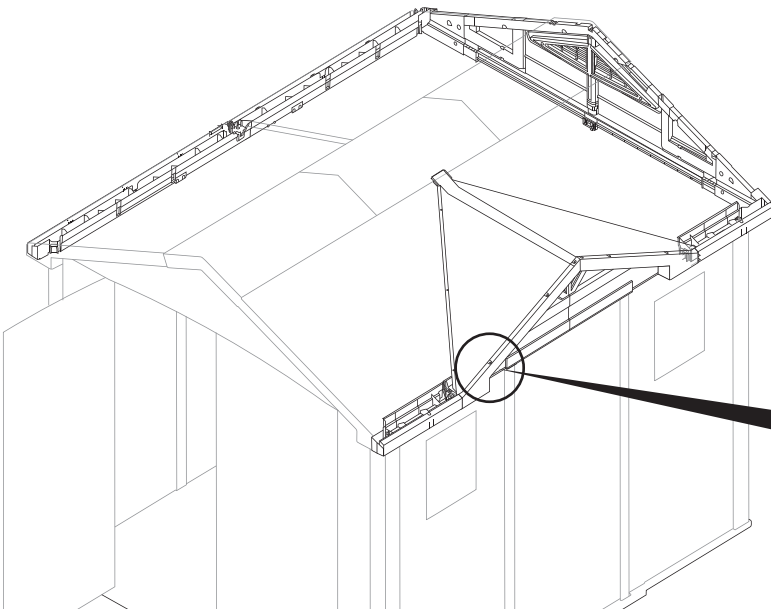
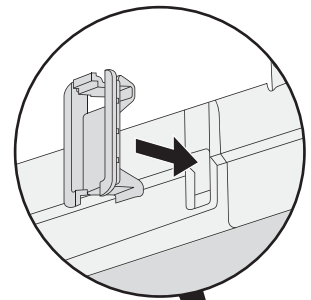
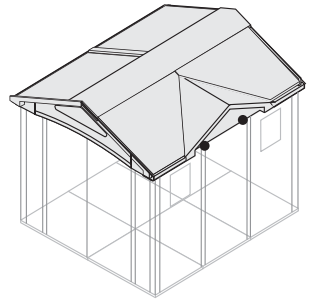
YEC(x3)

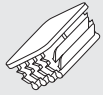


74

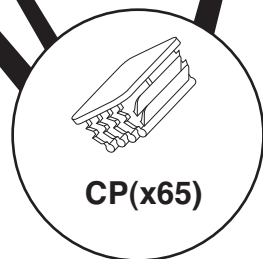
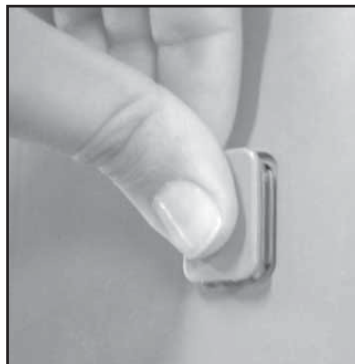
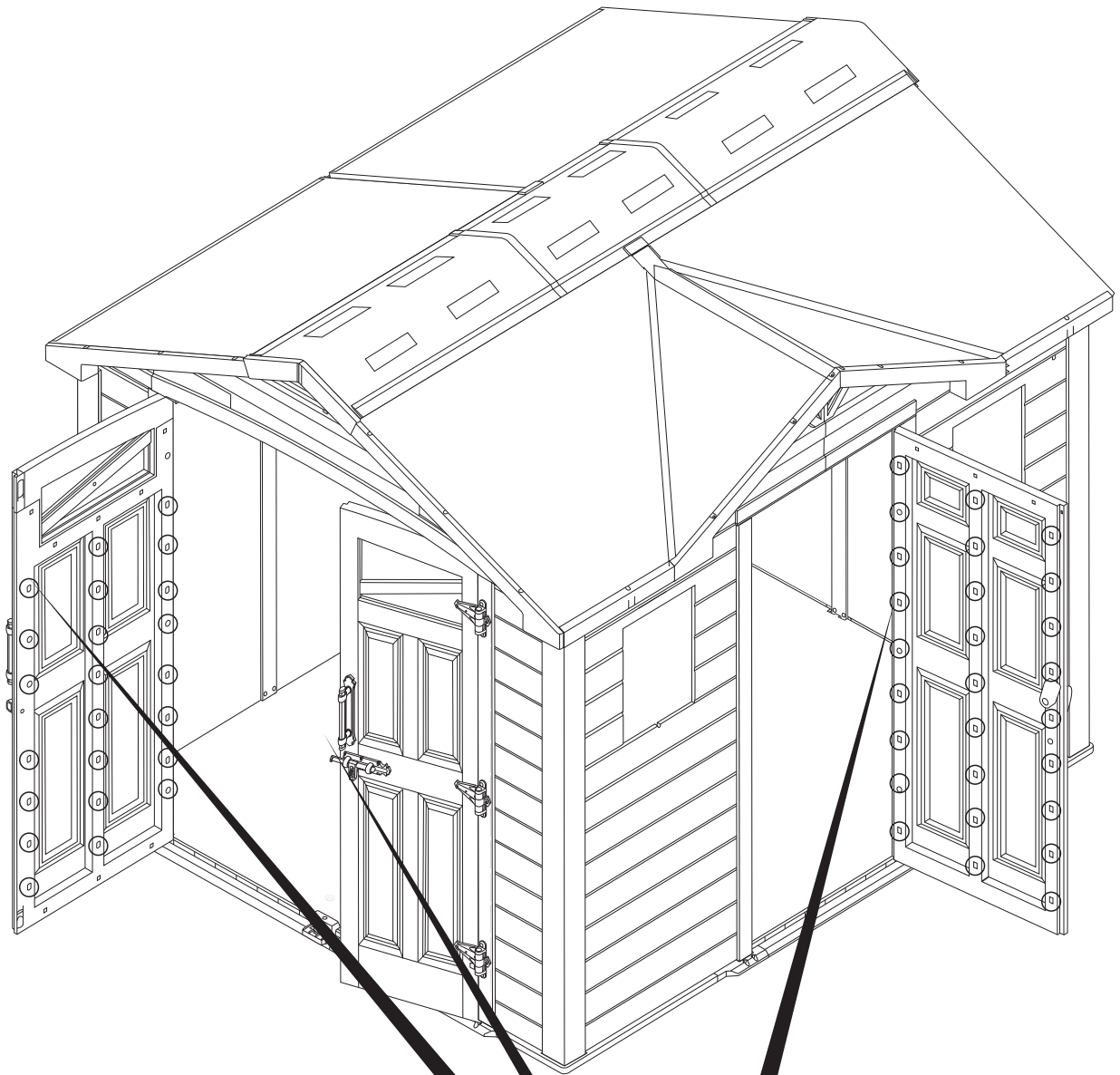
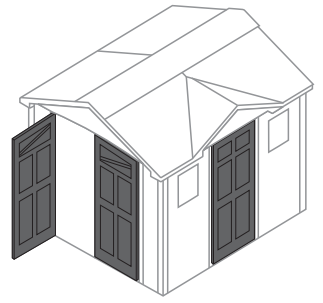


YRC(x1)



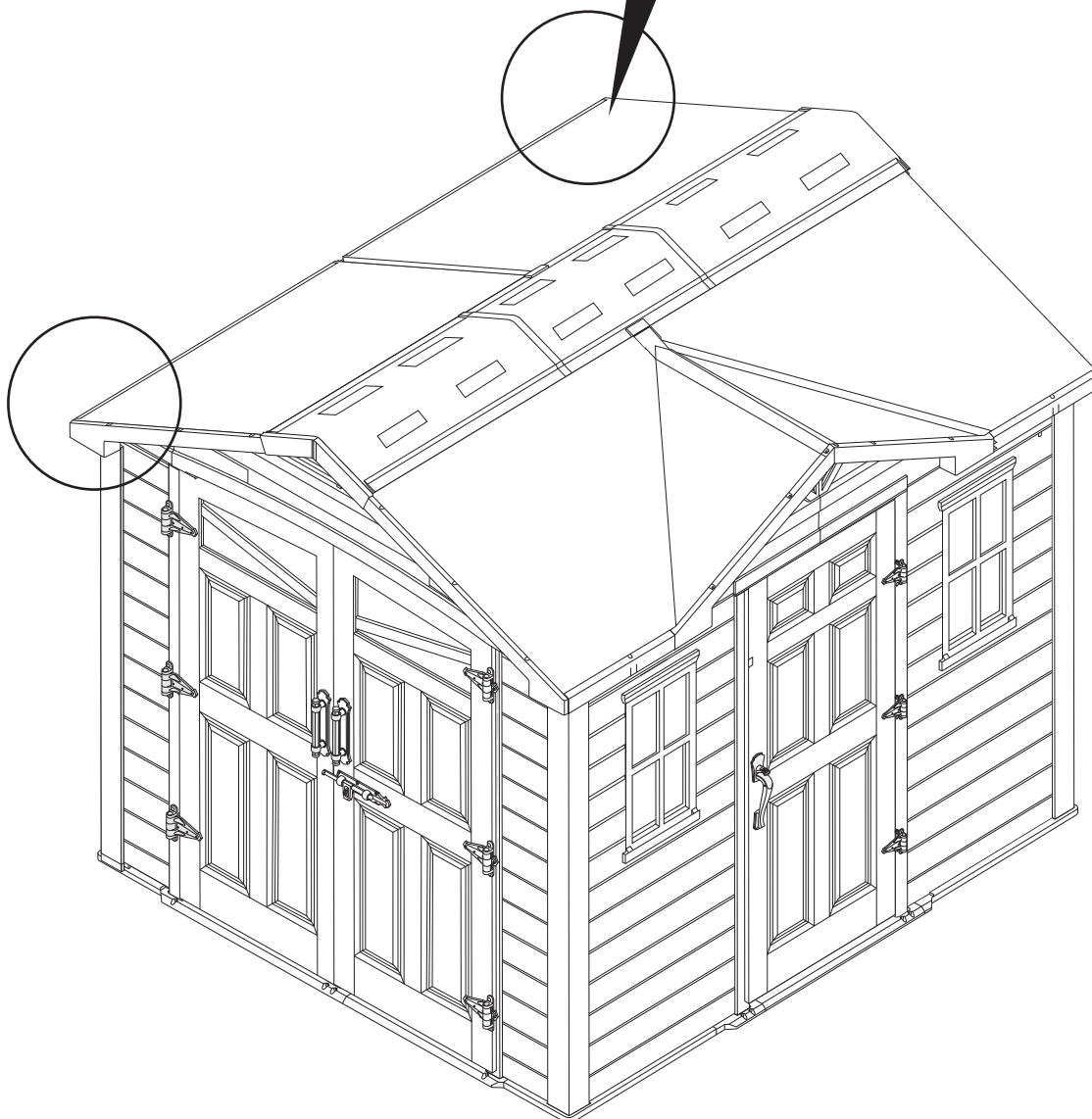
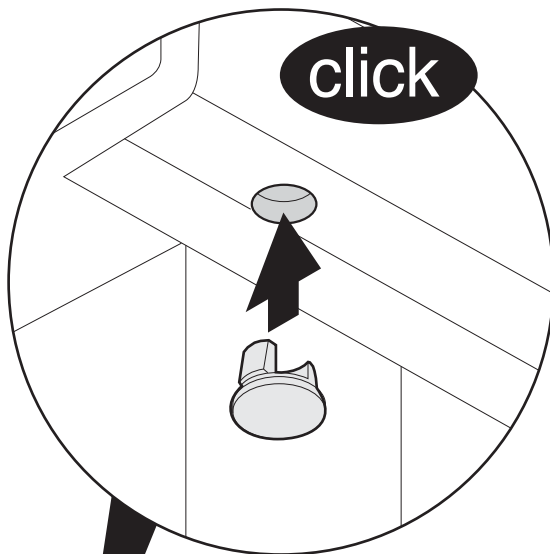
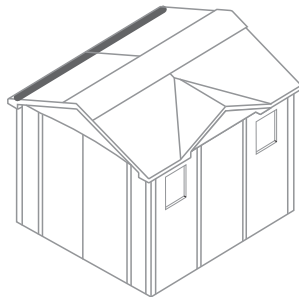


CP(x65)





YD(x2)



SUMMIT